



PARTS CATALOG

Core Sweeper

HS-806U

AUG.2020
Ver.1

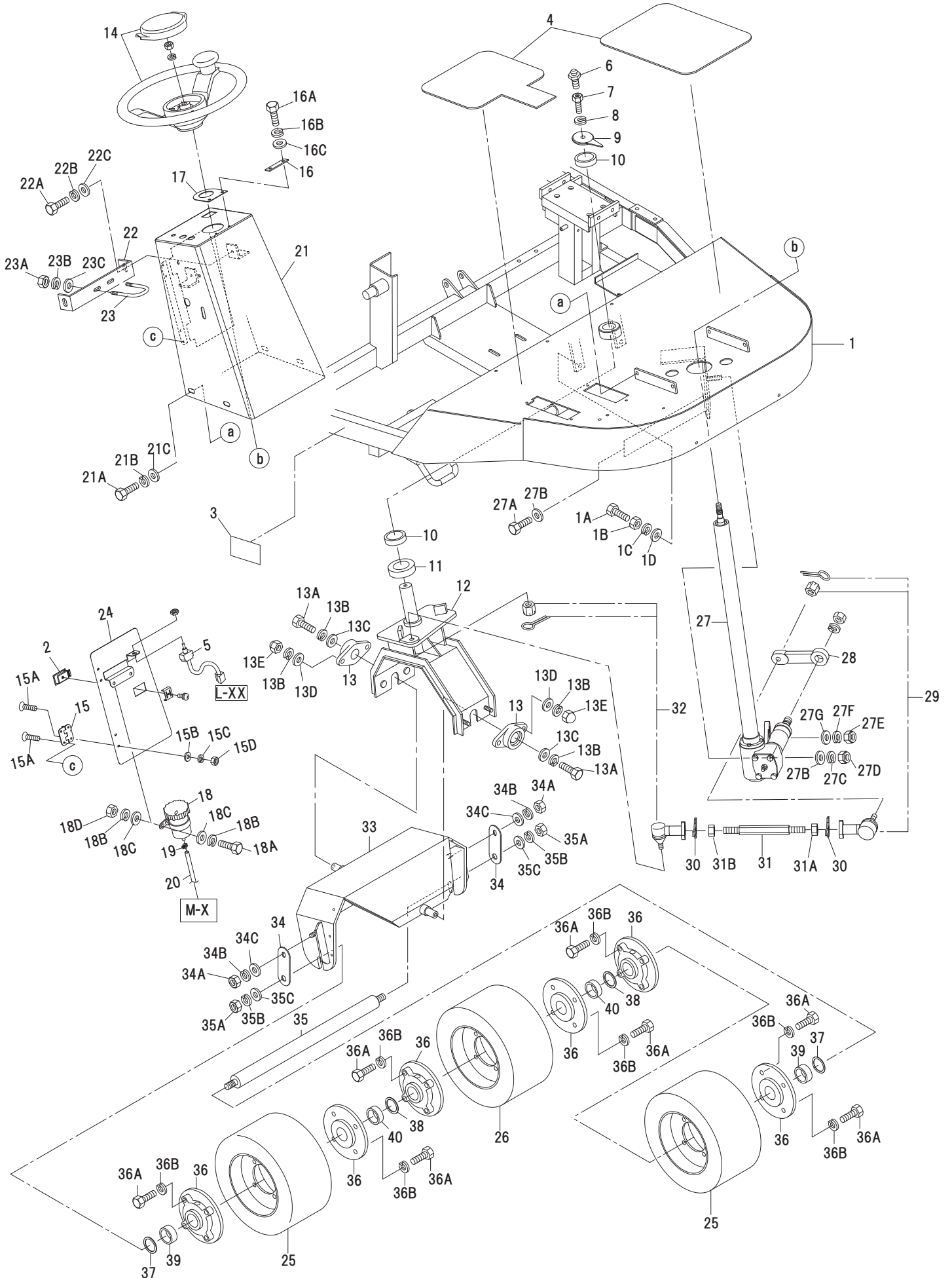
HS-806U

CONTENTS

A	FRONT	1 - 4
B	REAR	5 - 6
C	HYDRAULIC 1	7 - 10
D	HYDRAULIC 2	11 - 12
E	ENGINE	13 - 16
F	CASING BRUSH	17 - 20
G	CASING ROLLER	21 - 24
H	CASING COVER	25 - 26
I	ELECTROMAGNETIC CLUTCH	27 - 30
J	LIFT ARM	31 - 34
K	HOPPER	35 - 36
L	HARNESS	37 - 40
M	PEDAL	41 - 44
N	ROPS	45 - 46
O	SEAT/ FRONT COVER	47 - 48

HS-806U

A FRONT



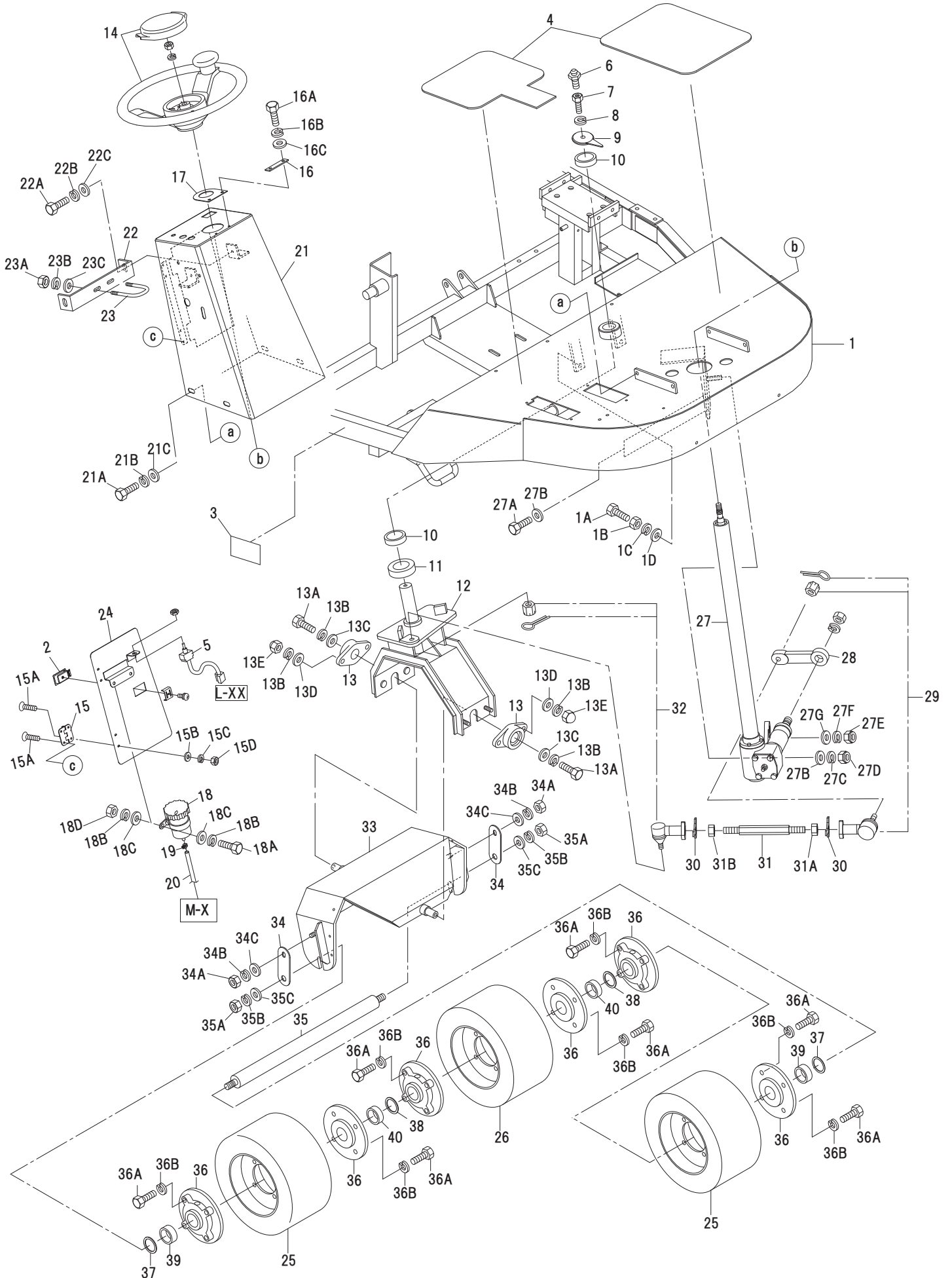
HS-806U

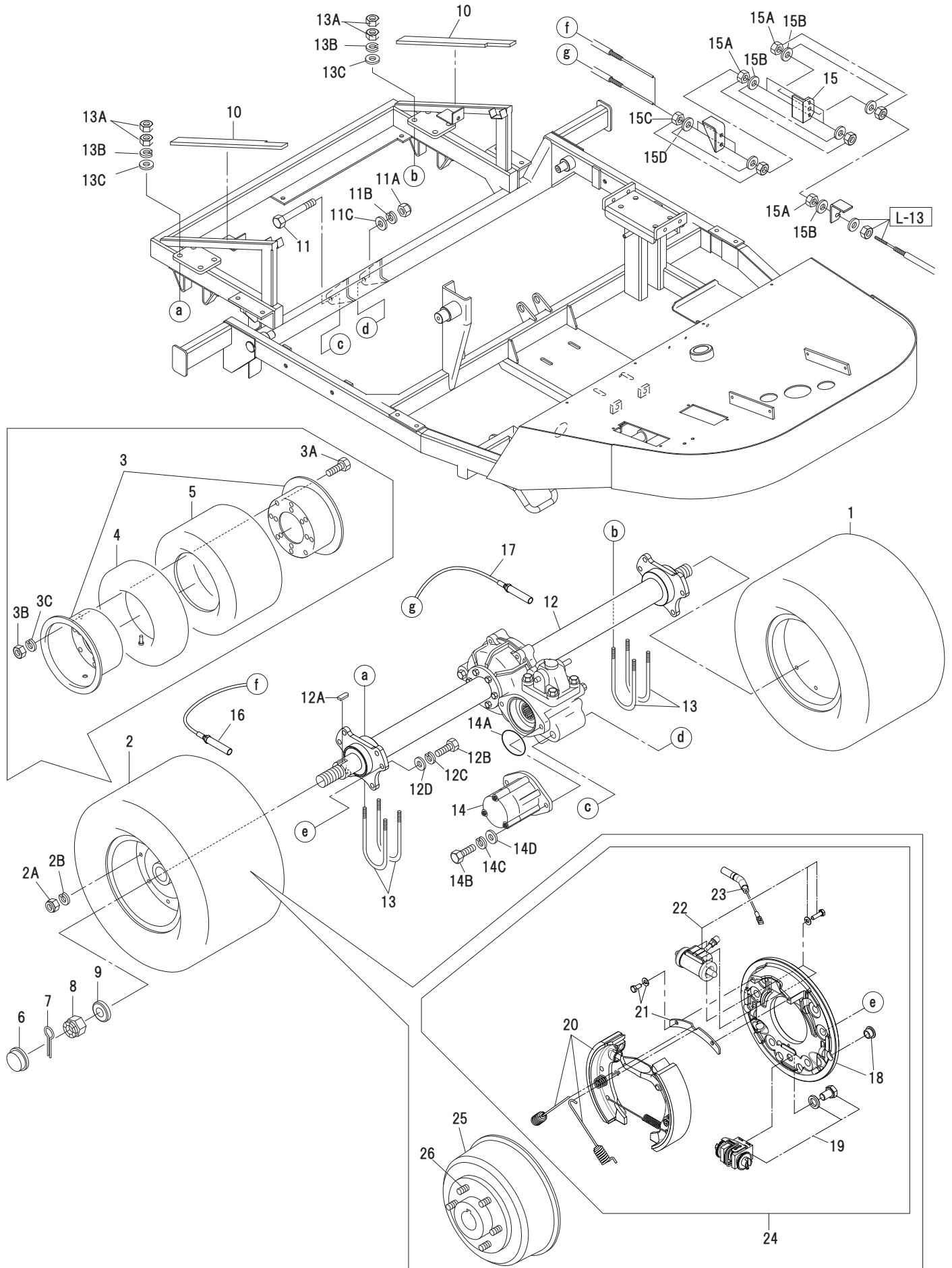


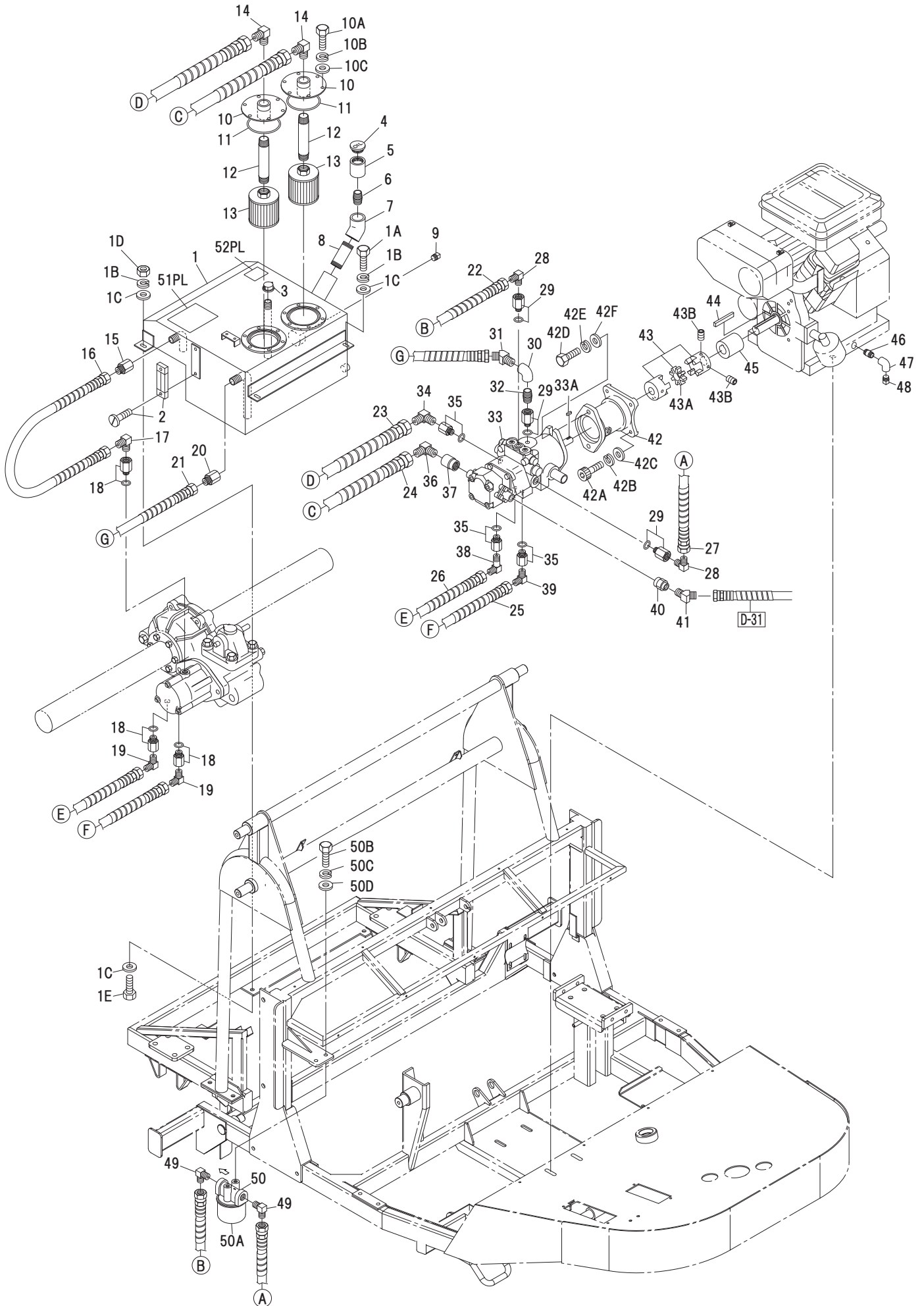
Item	Code	Parts Name	QTY	Specification	Note
A-1	K32800200	Chassis	1		
A-1A	K09125500	M12 × 55 Bolt	2		
A-1B	K09120100	M12 Nut	2		
A-1C	K09120300	M12 Spring Washer	2		
A-1D	K09120200	M12 Washer	2		
A-2	K32850100	Flush Latch	1	LC-48-3	
A-3	K32850101	Serial number plate	1		
A-4	K32801000	Safety walk sheet	1		Left and Right :include
A-5	K31531600A	Electromagnetic clutch Switch	1		
A-6	K20251500	Grease nipple 1/8A	1		
A-7	K31508100	Dump arm shaft stop Bolt	1		
A-8	K09100300	M10 Spring Washer	1		
A-9	K20603010	Front wheel fork pressing Washer	1		
A-10	K0B3512DU	DU bush K5B3512	2		
A-11	K02507000	Thrust bearing 51107	1		
A-12	K31501308B	Front wheel fork (A)	1		
A-13	K03030400	Pillow block UCFL204	2		
A-13A	K09102000	M10 × 20 Bolt	2		
A-13B	K09100300	M10 Spring Washer	6		
A-13C	K09100203	M10 Big Washer	2	10 × 30 × 3	
A-13D	K09100200	M10 Washer	4		
A-13E	K09100104	M10 Cap nut	4		
A-14	K31580200	Handle	1		
A-15	K32850102	Hinge	2	B-1229	
A-15A	K09041510	M4 × 15 Countersunk screw	8		
A-15B	K09040200	M4 Washer	8		
A-15C	K09040300	M4 Spring Washer	8		
A-15D	K09040100	M4 Nut	8		
A-16	K21807400	Handle stem pressing rubber	1		
A-16A	K09061000	M6 × 10 Bolt	2		
A-16B	K09060300	M6 Spring Washer	2		
A-16C	K09060200	M6 Washer	2		
A-17	K21807301	Handle stem rubber	1		
A-18	K30467200	Brake oil Reservoir Tank	1		
A-18A	K09061200	M6 × 12 Bolt	2		
A-18B	K09060300	M6 Spring Washer	4		
A-18C	K09060201	M6 Big Washer	4	6 × 16 × 1	
A-18D	K09060100	M6 Nut	2		
A-19	N32002000	12mm Wire band	1		
A-20	K14772700	Reservoir hose	1	900L	
A-21	K32802101A	Handle stem	1		
A-21A	K09083000	M8 × 30 Bolt	4		
A-21B	K09080300	M8 Spring Washer	4		
A-21C	K09080201	M8 Big Washer	4	8 × 22 × 2.3	
A-22	K21809200	Handle bracket	1		
A-22A	K09081600	M8 × 16 Bolt	2		
A-22B	K09080300	M8 Spring Washer	2		
A-22C	K09080200	M8 Washer	2		
A-23	K09083240	U-Bolt M8-32A	1		
A-23A	K09080100	M8 Nut	2		
A-23B	K09080300	M8 Spring Washer	2		
A-23C	K09080200	M8 Washer	2		
A-24	K32801101	Handle stem lid	1		
A-25	K31501507	Front Urethane tire Left and Right	2		
A-26	K31501508	Front Urethane tire Center	1		

HS-806U

A FRONT



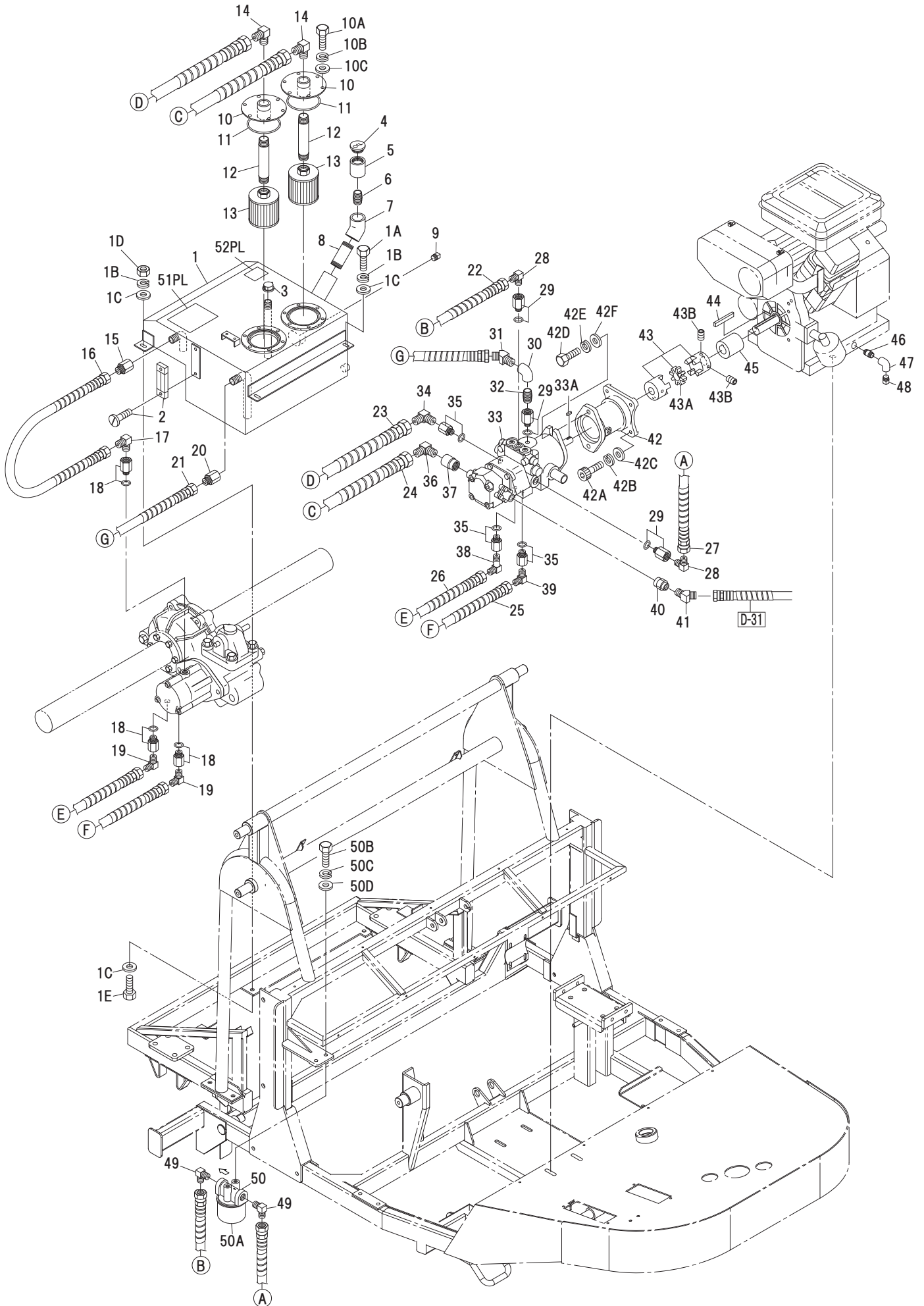
HS-806U
B REAR


HS-806U
C HYDRAULIC 1


HS-806U

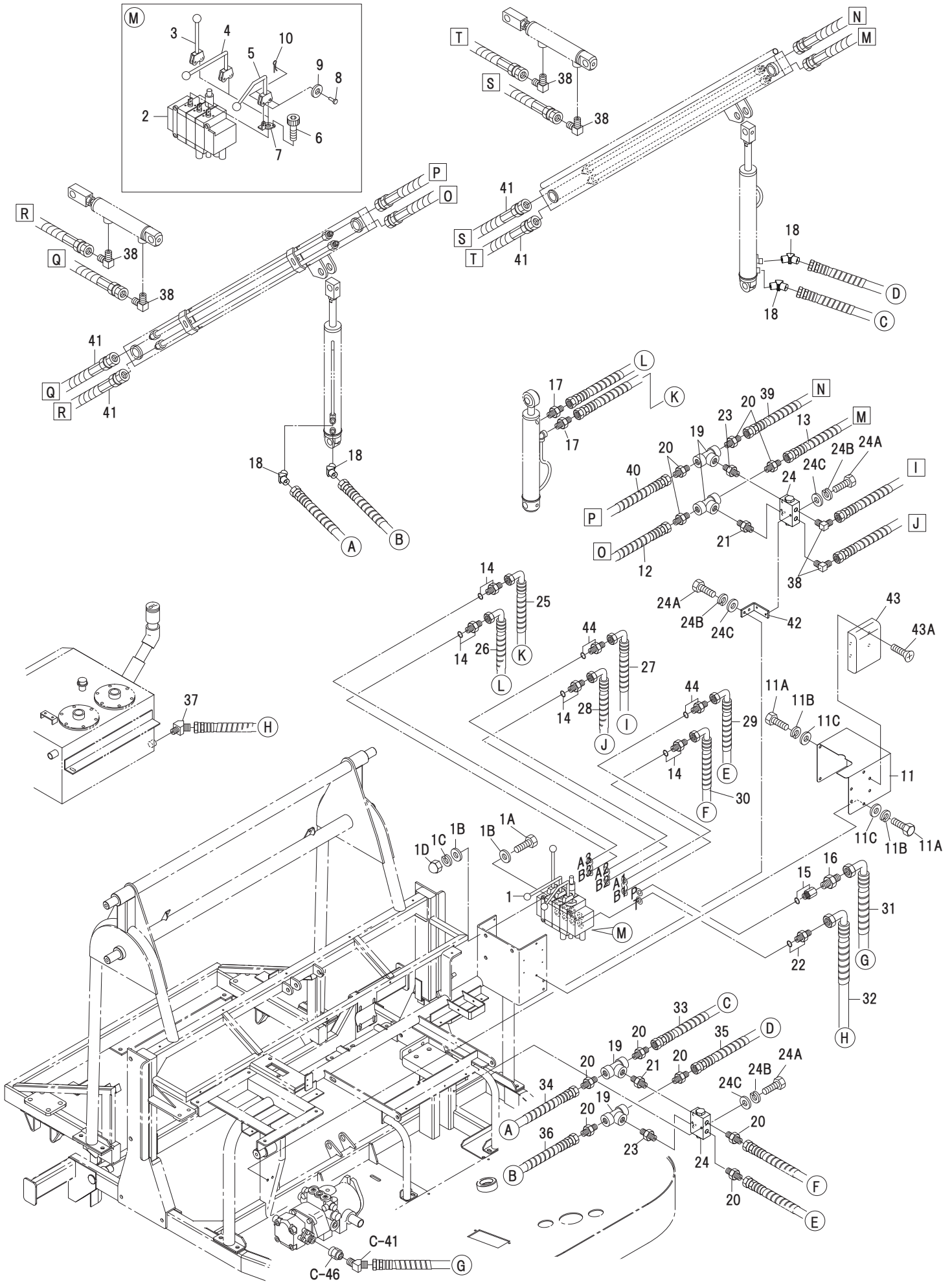


Item	Code	Parts Name	QTY	Specification	Note
C-1	K31519804B	Hydraulic oil tank	1		
C-1A	K09102000	M10×20 Bolt	2		
C-1B	K09100300	M10 Spring Washer	4		
C-1C	K09100200	M10 Washer	6		
C-1D	K09100100	M10 Nut	2		
C-1E	K09102500	M10×25 Bolt	2		
C-2	K31554900	Oil gauge KL-80	1		
C-3	K05940300	3/8 Cap (Iron)	1		
C-4	K30656400	Oil cap KRM-A4	1		
C-5	K05870611	1" socket (Processed)	1		
C-6	K05810600	1" nipple (Iron)	1		
C-7	K05850600	1" 45° elbow (Iron)	1		
C-8	K05920612	1" × 125L Long nipple (Iron)	1		
C-9	K05900500	3/4 plug (Iron)	1		
C-10	K31520001	Flange for Strainer	2		
C-10A	K09081600	M8 × 16 Bolt	12		
C-10B	K09080300	M8 Spring Washer	12		
C-10C	K09080200	M8 Washer	12		
C-11	K08208000	O-ring G-80	2		
C-12	K05920512	3/4 × 125L Long nipple	2		
C-13	K31566100	Oil strainer SFT-06-150W	2		
C-14	K07050300	Adapter 19-20#	2		
C-15	K07030200	Adapter 09-18#	1		
C-16	KH41205000	Hydraulic hose SIB-15-09-500	1		
C-17	K07030300	Adapter 09-20#	1		
C-18	K07A11249	Bush PT09PFO09	3		Include: O-ring P-14
C-19	K07122303	Adapter PT3/8 × PF1/2 20#	2		
C-20	K07040200	Adapter 12-18#	1		
C-21	KH41314000	Hydraulic hose SIB-15-12-1400L	1	NO SP	
C-22	KH41306200	Hydraulic hose SIB-15-12-620L	1		
C-23		Hydraulic hose SIB-35-19-1580L	1		
C-24		Hydraulic hose SIB-35-19-1670L	1		
C-25	KH47311000	Hydraulic hose SIB-210-12-1100L	1		
C-26	KH47311000	Hydraulic hose SIB-210-12-1100L	1		
C-27	KH41306200	Hydraulic hose SIB-15-12-620L	1	NO SP	
C-28	K07122303	Adapter PT3/8 × PF1/2 20#	2		
C-29	K07A11249	Bush PT09PFO09	3		Include: O-ring P-14
C-30	K05820300	3/8 elbow (Iron)	1		
C-31	K07122304	Adapter PT3/8 × PF1/2 22#	1		
C-32	K05810300	3/8 Nipple (Iron)	1		
C-33	K31552600	HST Pump	1		
C-33A	K04012902	Machine Key 5 × 5 × 29 Both side round	1		
C-34	K07132403	Adapter PT1/2 × PF3/4 20#	1		
C-35	K07A112412	Bush PT13PFO13	3		Include: O-ring P-18
C-36	K07050300	Adapter 19-20#	1		
C-37	K05885400	3/4 × 1/2 different diameter socket (Iron)	1		
C-38	K07041300	Long Adapter 12-20#	1		
C-39	K07040300	Adapter 12-20#	1		
C-40	K06070400	1/2 high pressure hexagon socket	1		
C-41	K07132204	Adapter PT1/2 × PF3/8 22#	1		
C-42	K31522601	Case for Hydraulic pump	1		
C-42A	K31552700	Bolt for Hydraulic pump	4		
C-42B	K09080300	M8 Spring Washer	4		
C-42C	K09080200	M8 Washer	4		
C-42D	K09123500	M12 × 35 Bolt	2		

HS-806U
C HYDRAULIC 1


HS-806U

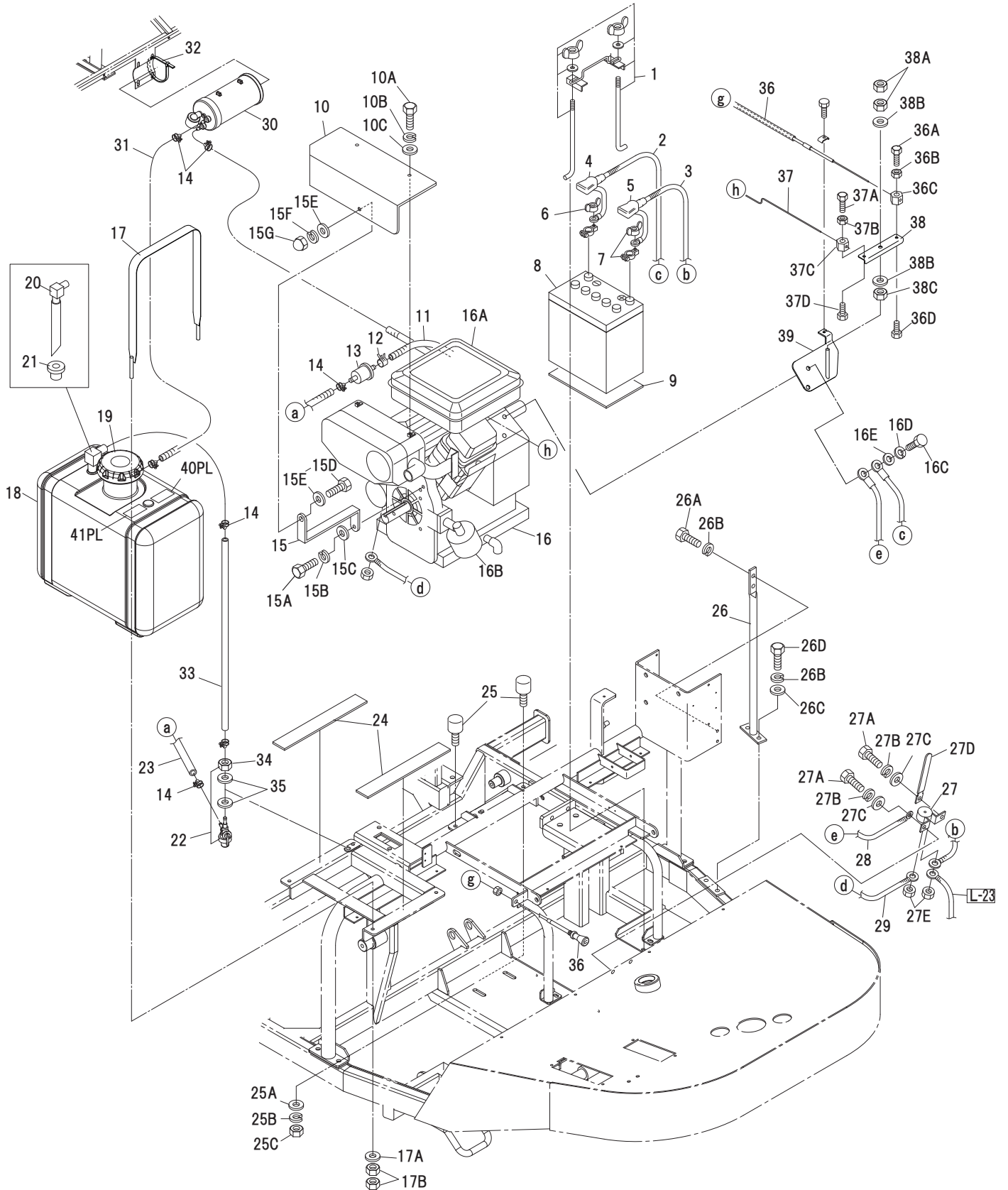
D HYDRAULIC 2



HS-806U



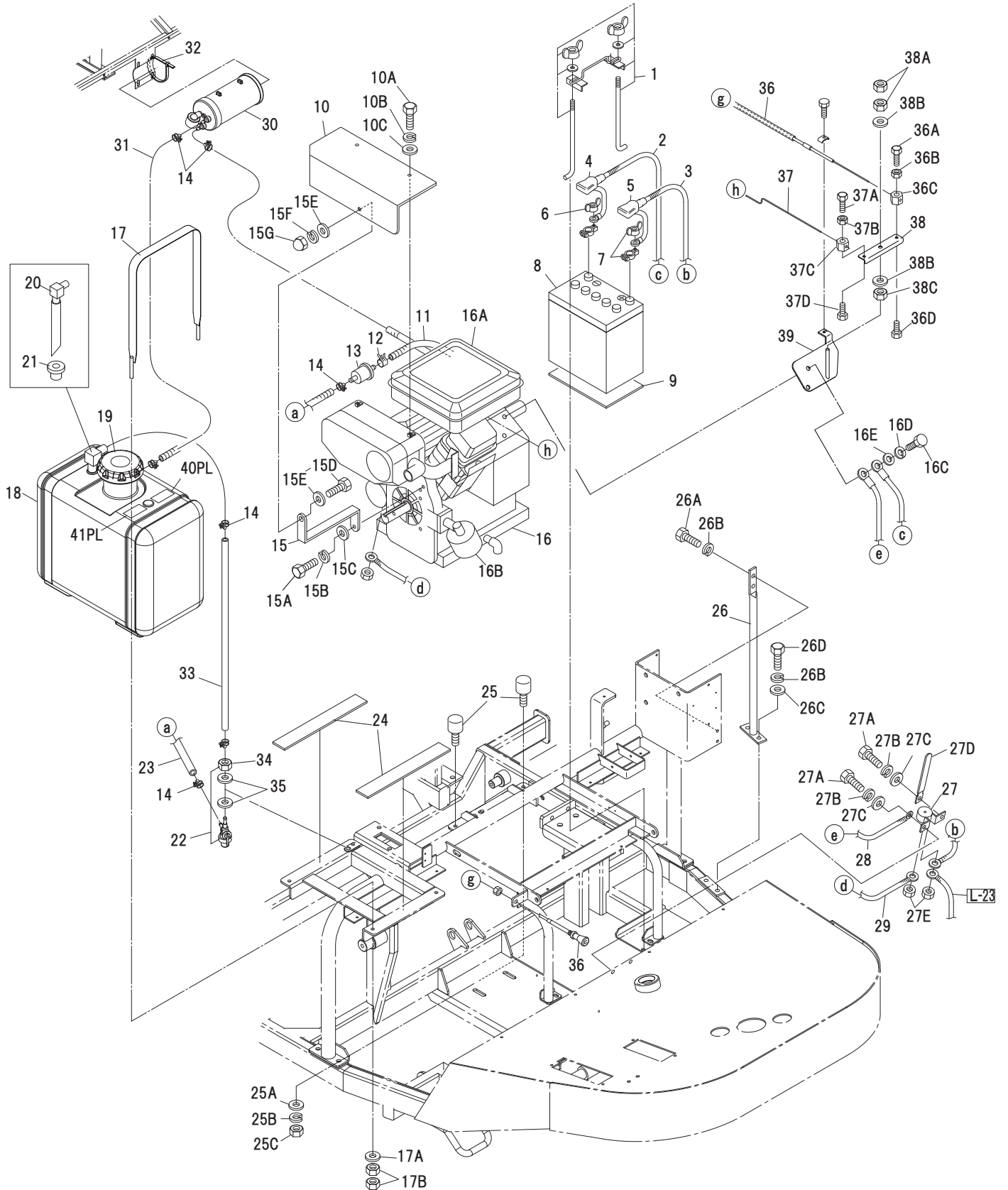
Item	Code	Parts Name	QTY	Specification	Note
D-1	K31552999	Direction Switching Valve SV3-3180 Assembly	1		
D-1A	K09082500	M8 × 25 Bolt	3		
D-1B	K09080200	M8 Washer	6		
D-1C	K09080300	M8Spring Washer	3		
D-1D	K09080104	M8 Cap nut	3		
D-2	K31552900	Direction Switching Valve SV3-3180 (Body)	1		
D-3	K31553000	Lever (Brush)	1		Direction Switching Valve
D-4	K31553100	Lever (Lid)	1		Direction Switching Valve
D-5	K31553200	Lever (Hopper)	1		Direction Switching Valve
D-6	K31553700	Lever attached bolt	6		Direction Switching Valve
D-7	K31553300	Lever bracket	3		Direction Switching Valve
D-8	K31553400	Lever pin	6		Direction Switching Valve
D-9	K31553500	Lever washer	6		Direction Switching Valve
D-10	K31553600	Lever R-pin	6		Direction Switching Valve
D-11	K32804901	Cover	1		Direction Switching Valve
D-11A	K09061200	M6 × 12 Flange Bolt	4		
D-12	KH44113000	Hydraulic hoseSIB-105-06-1300L	1		
D-13	KH44118500	Hydraulic hoseSIB-105-06-1850L	1		
D-14	K07A106769	Adapter NSF06PFO09	4		Include O-ring P-14
D-15	K07030500	Adapter 09-OB Femal	1		Include O-ring P-14
D-16	K07030100	Adapter 09-16#	1		
D-17	K07020100	Adapter 06-16#	2		
D-18	K07020400	Adapter 06-22#	4		
D-19	K06040200	1/4 high pressure Cheese	4		
D-20	K07020110	Tokai Adapter 06-16#	10		
D-21	K07020100	Adapter 06-16#	2		
D-22	K07A10679	ADAPTER NSF09PFO09	1		
D-23	K06010200	1/4 high pressure nipple	2		
D-24	K31554000	WPilot check valve	2		
D-24A	K09064000	M6 × 40 Bolt	4		
D-24B	K09060300	M6 Spring Washer	4		
D-24C	K09060200	M6 Washer	4		
D-25	KH46112001	Hydraulic hoseSIB-175-06-1200L one side : Elbow	1		
D-26	KH46111501	Hydraulic hoseSIB-175-06-1150L one side : Elbow	1		
D-27	KH46114101	Hydraulic hoseSIB-175-06-1410L one side : Elbow	1		
D-28	KH46113501	Hydraulic hoseSIB-175-06-1350L one side : Elbow	1		
D-29	KH46107501	Hydraulic hoseSIB-175-06-750L one side : Elbow	1		
D-30	KH46107001	Hydraulic hoseSIB-175-06-700L one side : Elbow	1		
D-31	KH46117501	Hydraulic hoseSIB-175-09-1750L one side : Elbow	1		
D-32	KH41215401	Hydraulic hoseSIB-15-09-1540L one side : Elbow	1		
D-33	KH46106100	Hydraulic hoseSIB-175-06-610L	1		
D-34	KH46115400	Hydraulic hoseSIB-175-06-1540L	1		
D-35	KH46106300	Hydraulic hoseSIB-175-06-630L	1		
D-36	KH46115200	Hydraulic hoseSIB-175-06-1520L	1		
D-37	K07030400	Adapter 09-22#	1		
D-38	K07020310	Tokai Adapter 06-20#	6		
D-39	KH44119000	Hydraulic hoseSIB-105-06-1900L	1		
D-40	KH44113500	Hydraulic hoseSIB-105-06-1350L	1		
D-41	KH44105700	Hydraulic hoseSIB-105-06-570L	4		
D-42	K32803500	W check attachment	1		
D-43	KH32850103	Cup holder	1		
D-43A	K09031010	M3 × 10 Countersunk screw	1		



HS-806U

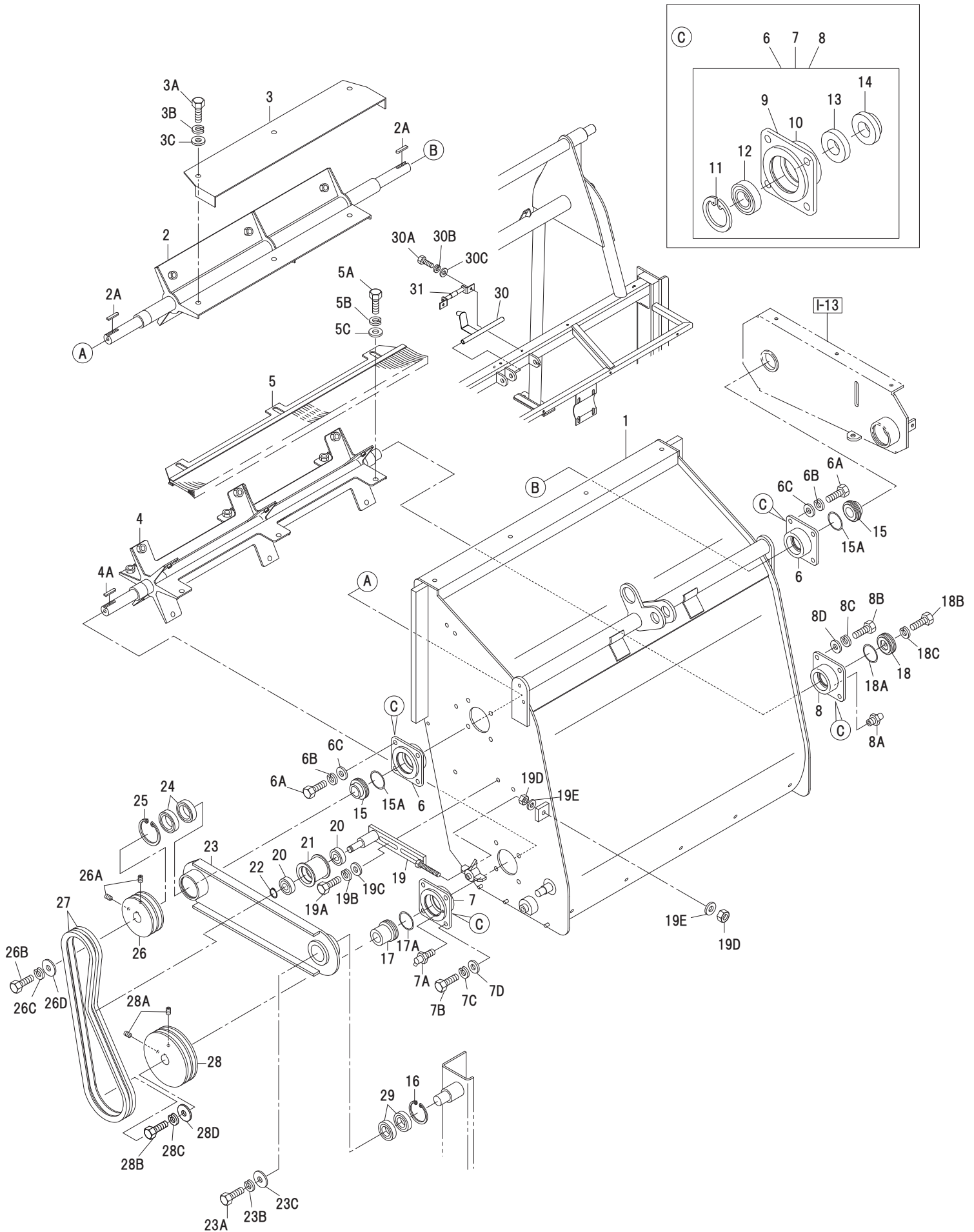


Item	Code	品名	QTY	Specification	Note
E-1	K31557000	Battery Frame ASSY	1		
E-2	K31556500	Battery cord - Battery~ Engine	1		900L
E-3	K31556400	Battery cord + Battery~ Magnet	1		700L
E-4	K31556900	Terminal cover Black	1		
E-5	K31556800	Terminal cover Red	1		
E-6	K31556700	Battery terminal -	1		
E-7	K31556600	Battery terminal +	1		
E-8	K31556200A	Battery 44B-19R	1		
E-9	K31556300	Rubber: Battery	1		
E-10	K31514703A	Engine Heat guard	1		
E-10A	K09061520	M6 × 12 Bolt SUS	2		
E-10B	K09060309	M6 Spring Washer SUS	2		
E-10C	K09060203	M6 Big Washer	2	6 × 24 × 1.6	
E-11	K97061202	Fuel Hose φ 6 × φ 12 × 170L	1		
E-12	K31566500	Fuel Hose Clips	1		
E-13	EB845125	Fuel Filter	1		
E-14	N32002000	12mm Wire Band	7		
E-15	K31528401B	Engine Heat guard Rib frame	1		
E-15A	K31528420	Rib frame attachment Bolt	1	7/16-1	
E-15B	K09120300	M12 Spring Washer	1		
E-15C	K09100202	M10 Big Washer	1	10 × 25 × 2.3	
E-15D	K09082000	M8 × 20 Bolt	1		
E-15E	K09080201	M8 Big Washer	2	8 × 22 × 2.3	
E-15F	K09080300	M8 Spring Washer	1		
E-15G	K09080104	M8 Cap nut	1		
E-16	E00013568	Engine Vanguard 356447-3540-G1	1		
E-16A	EB394018S	Air filter	1		
E-16B	EB272490S	pre filter	1		
E-16C	EB492932S	Oil filter	1		
E-16D	K09081600	M8 × 16 Bolt	1		
E-16E	K09080300	M8 Spring Washer	1		
E-16F	K09080200	M8 Washer	1		
E-17	K32802900A	Fuel tank band	2		
E-17A	K09080200	M8 Washer	4		
E-17B	K09080100	M8 Nut	8		
E-18	K32850105	6-Gallon CARB/EAP Fuel tank3.5	1		
E-19	K32850106	3.5" CARB/EAP Fuel Cap	1		
E-20	K32850107	Pick up Tube (For 6-Gallon)	1		
E-21	K32850108	VITON Grommet	1		
E-22	K32850109	Fuel stop cock Assy	1		
E-23	K32850110	Fuel Hose	1		350L
E-24	K32850111	Rubber 5 × 40 × 195	2		
E-25	K31559600	Stopper KI-30	2		
E-25A	K09080200	M8 Washer	2		
E-25B	K09080300	M8 Spring Washer	2		
E-25C	K09080100	M8 Nut	2		
E-26	K31519604	Selector valve attachment pedestal	1		
E-26A	K09081200	M8 × 12 Bolt	2		
E-26B	K09080300	M8 Spring Washer	4		
E-26C	K09080200	M8 Washer	2		
E-26D	K09082000	M8 × 20 Bolt	2		
E-27	K31558500B	Magnet switch	1		
E-27A	K09061200	M6 × 12 Bolt	2		
E-27B	K09060300	M6 Spring Washer	2		
E-27C	K09060200	M6 Washer	2		



HS-806U

F CASING BRUSH



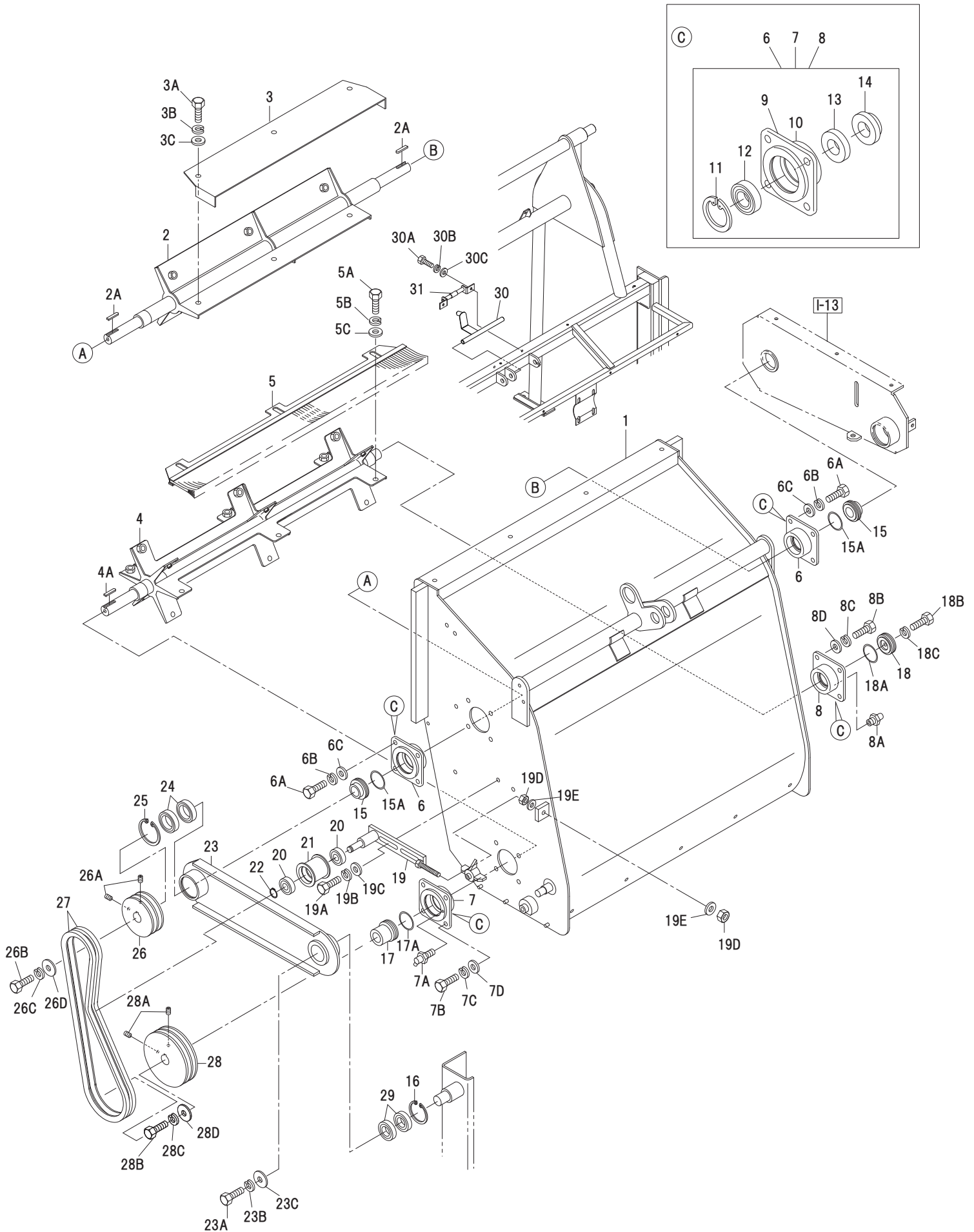
HS-806U



Item	Code	Parts Name	QTY	Specification	Note
F-1	K32803401	Casing: Brush box (Body)	1		
F-2	K31518303	Roter shaft	1		
F-2A	K04023401	Machine Key 7 × 7 × 34 : one round/ one square	2		
F-3	K31518403	Roter	3		
F-3A	K09122500	M12 × 25 Bolt	9		
F-3B	K09120300	M12 Spring Washer	9		
F-3C	K09120200	M12 Washer	9		
F-4	K31504407A	Brush shaft	1		
F-4A	K04022601	Machine Key 7 × 7 × 26 : one round/ one square	1		
F-5	K31504303	Brush	6		
F-5A	K09122500	M12 × 25 Bolt	18		
F-5B	K09120300	M12 Spring Washer	18		
F-5C	K09120200	M12 Washer	18		
F-6	K31518299	Roter shaft bearing case Assembly	2		
F-6A	K09102500	M10 × 25 Bolt	8		
F-6B	K09100300	M10 Spring Washer	8		
F-6C	K09100200	M10 Washer	8		
F-7	K31518299A	Brush shaft bearing case Assembly Grease nipple 45°	1		Include: F-7A
F-7A	K31559110	Grease nipple M6-P1.0 B型 45°	1		
F-7B	K09102500	M10 × 25 Bolt	4		
F-7C	K09100300	M10 Spring Washer	4		
F-7D	K09100200	M10 Washer	4		
F-8	K31518299B	Brush shaft bearing case Assembly Grease nipple Straight	1		Include: F-8A
F-8A	K31559100	Grease nipple M6-P1.0 B type Straight	1		
F-8B	K09102500	M10 × 25 Bolt	4		
F-8C	K09100300	M10 Spring Washer	4		
F-8D	K09100200	M10 Washer	4		
F-9	K31518202	Roter shaft bearing case	2		
F-10	K31518202A	Brush shaft bearing case	2		
F-11	K08605200	Snap ring R-52	4		
F-12	K31558800	Bearing 1205	4		
F-13	K31558900	Oil seal SB-35477	4		
F-14	K31559000	Oil seal DKI-35477	4		
F-15	K31514302	Presser plate of Roter shaft	2		Include: O-ring P-46
F-15A	K08104600	O-ring P-46	2		
F-16	K08605500	Snap ring R-55	1		
F-17	K31504503	Brush shaft collar	1		Include: O-ring P-46
F-17A	K08104600	O-ring P-46	1		
F-18	K31520201	Bearing pressing washer	1		Include: O-ring P-46
F-18A	K08104600	O-ring P-46	1		
F-18B	K09082000	M8 × 20 Bolt	1		
F-18C	K09080300	M8 Spring Washer	1		
F-19	K31503303	Brush tension pull fitting (Bottom)	1		
"	K31503399	Brush tension pull fitting (Bottom) Assembly	1		F-19,20,21,22
F-19A	K09102500	M10 × 25 Bolt	2		
F-19B	K09100300	M10 Spring Washer	2		
F-19C	K09100204	M10 Big Washer	2	10 × 30 × 3.2	
F-19D	K09100100	M10 Nut	2		
F-19E	K09100200	M10 Washer	2		
F-20	K02203500	Bearing 6203LL	2		
F-21	K30606600	Belt tension pulley B-2	1		
F-22	K08501700	Snap ring S-17	1		
F-23	K31503605	Roter shaft side plate (R)	1		
F-23A	K09102000	M10 × 20 Bolt	1		
F-23B	K09100300	M10 Spring Washer	1		

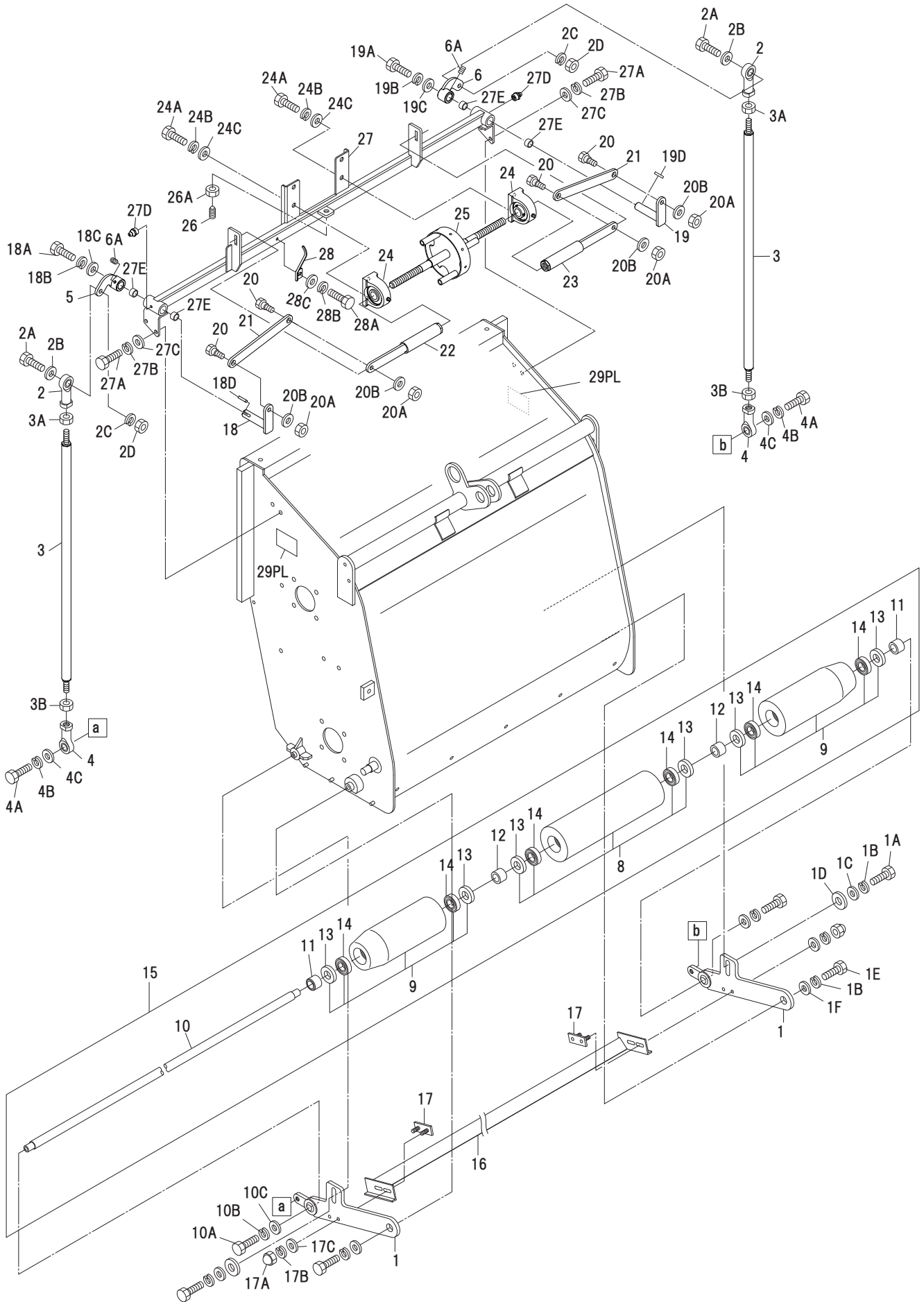
HS-806U

F CASING BRUSH



HS-806U

G CASING ROLLER



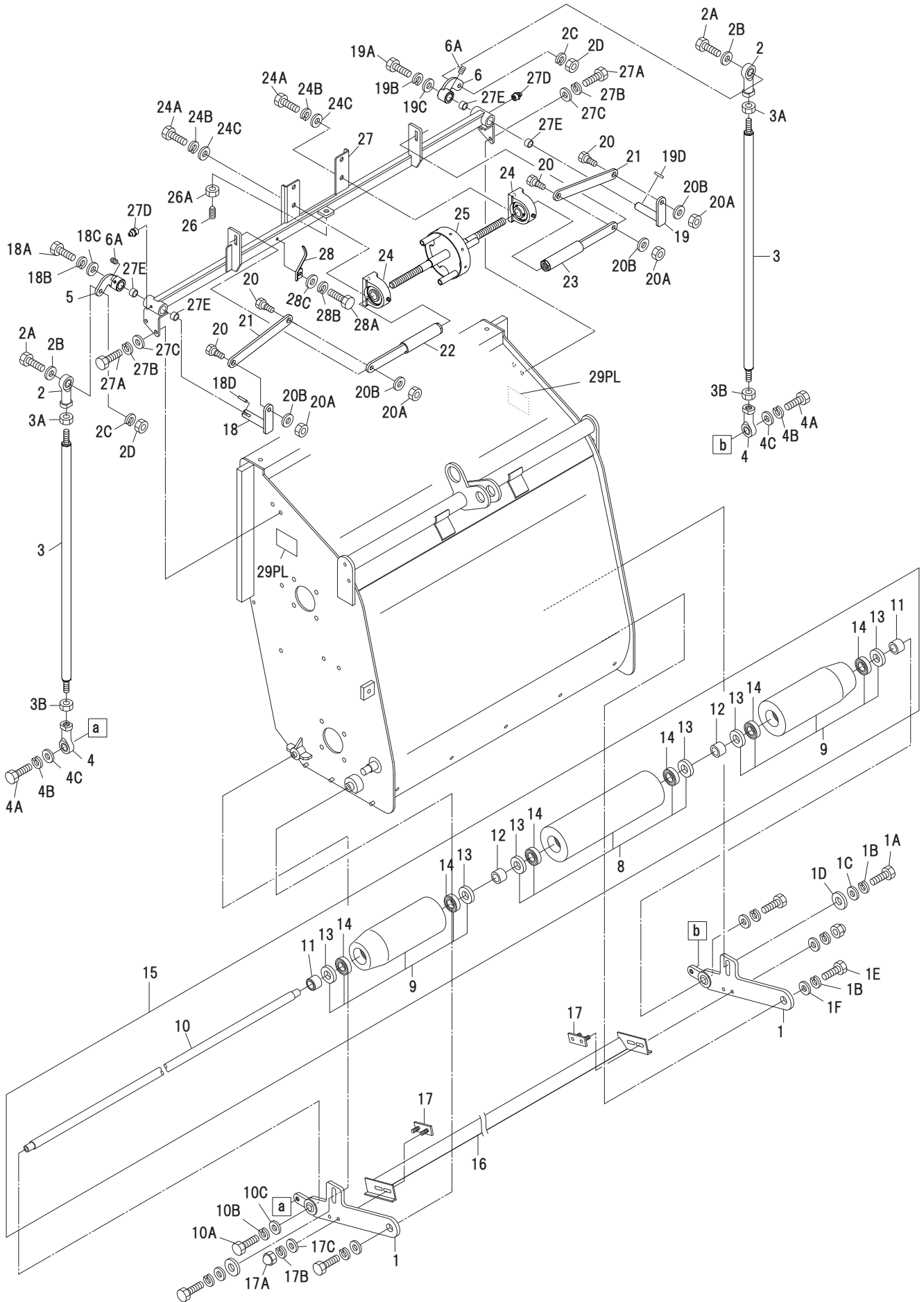
HS-806U

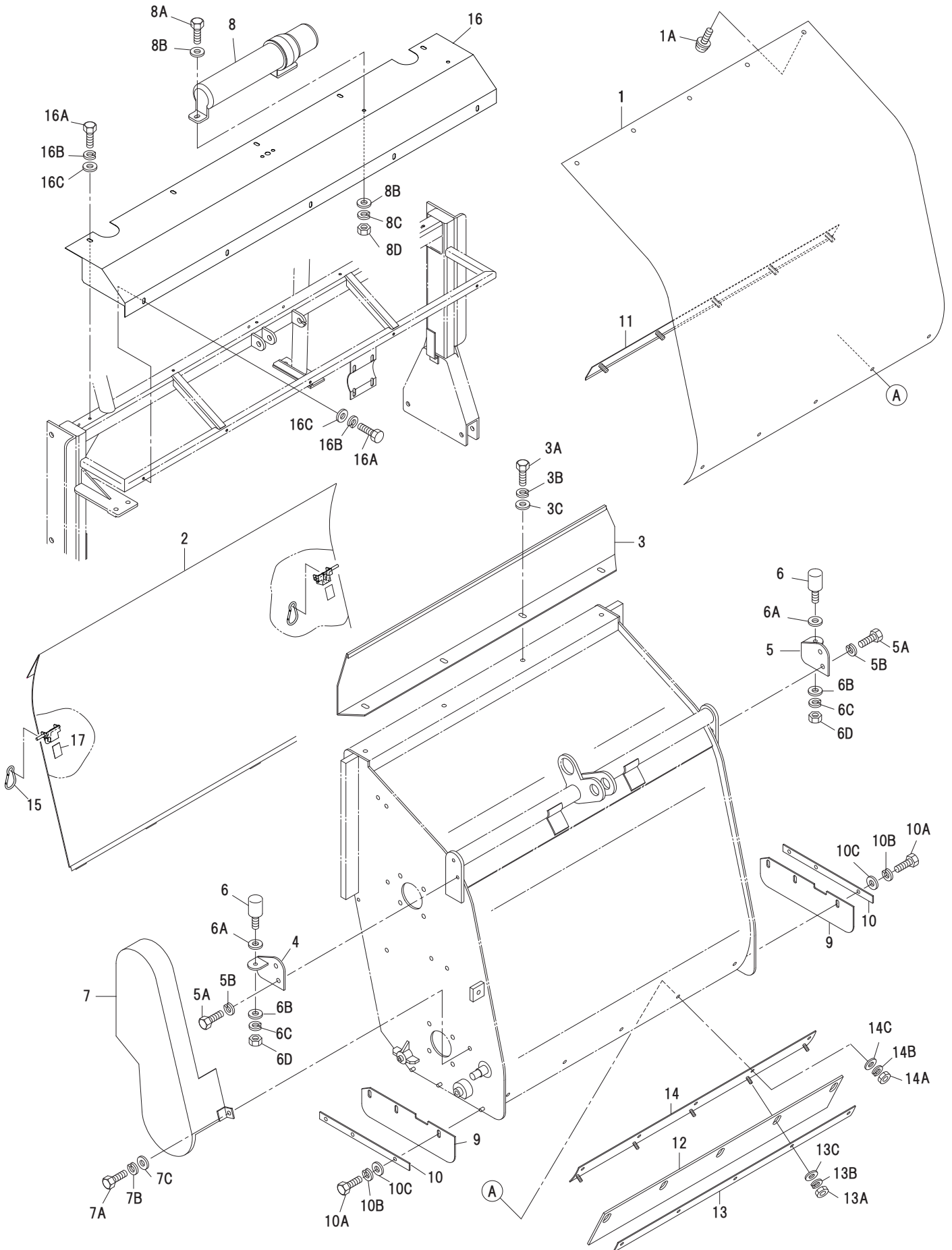


Item	Code	Parts Name	QTY	Specification	Note
G-1	K32601101A	Mounting base for Brush height adjust roller	2		
G-1A	K09102000	M10×20 Bolt	2		
G-1B	K09100300	M10 Spring Washer	4		
G-1C	K09100200	M10 Washer	2		
G-1D	K09140200	M14 Washer	2		
G-1E	K09102000	M10×20 Bolt	2		
G-1F	K09100204	M10 Big Washer	2	10×30×3.2	
G-2	K09PHS12R	Tie rod ends (Standard)	2	PHS-12R	
G-2A	K09124000	M12×40 Bolt	2		
G-2B	K09120200	M12 Washer	2		
G-2C	K09120300	M12 Spring Washer	2		
G-2D	K09120100	M12 Nut	2		
G-3	K32609001	Brush adjust link E	2		
G-3A	K09120100	M12 Nut	2		
G-3B	K09120101	M12 Nut (Reverse)	2		
G-4	K09PHS12L	Tie rod ends (Reverse)	2	PHS-12L	
G-4A	K09123500	M12×35 Bolt	2		
G-4B	K09120300	M12 Spring Washer	2		
G-4C	K09120200	M12 Washer	2		
G-5	K32608901R	Brush adjust link D (Standard)	1		
G-6	K32608901L	Brush adjust link D (Reverse)	1		
G-6A	K09060890	M6×8 Hollow set	2		
G-8	K31512993	Brush Roller Center Assembly	1		
G-9	K31510099	Brush Roller Both ends Assembly	2		
G-10	K31504002	Brush height adjust roller shaft	1		
G-10A	K09102000	M10×20 Bolt	2		
G-10B	K09100300	M10 Spring Washer	2		
G-10C	K09100204	M10 Big Washer	2	10×30×3.2	
G-11	K31504101	Brush height adjust roller collar Outside	2		
G-12	K31513600	Brush height adjust roller collar Center	2		
G-13	K31559400	Oil seal TB30428	6		
G-14	K02104500	Bearing 6004LL	6		
G-15	K31512999	Shaft with Brush Roller Assembly	1		G-8~14
G-16	K31521108	Scraper	1		
G-17	K31529500	Scraper Stop Fitting	2		
G-17A	K09080104	M8 Cap nut	4		
G-17B	K09080300	M8 Spring Washer	4		
G-17C	K09080200	M8 Washer	4		
G-18	K32608800R	Brush adjust link C (Standard)	1		
G-18A	K09061500	M6×15 Bolt	1		
G-18B	K09060300	M6 Spring Washer	1		
G-18C	K09060200	M6 Big Washer	1	6×24×1.6	
G-18D	K04012501	Machine Key 5×5×25 : one round/ one square	1		
G-19	K32608800L	Brush adjust link C (Reverse)	1		
G-19A	K09061500	M6×15 Bolt	1		
G-19B	K09060300	M6 Spring Washer	1		
G-19C	K09060200	M6 Washer	1	6×24×1.6	
G-19D	K04012501	Machine Key 5×5×25 : one round/ one square	1		
G-20	K32608201	Brush Roller adjust fitting Support pin	4		
G-20A	K09100100	M10 Nut	4		
G-20B	K09100300	M10 Washer	4		
G-21	K31540300	Brush adjust link B	2		
G-22	K32608600R	Brush adjust link A (Standard)	1		
G-23	K32608600L	Brush adjust link A (Reverse)	1		
G-24	K03120300	Pillow block UCUP-203	2		

HS-806U

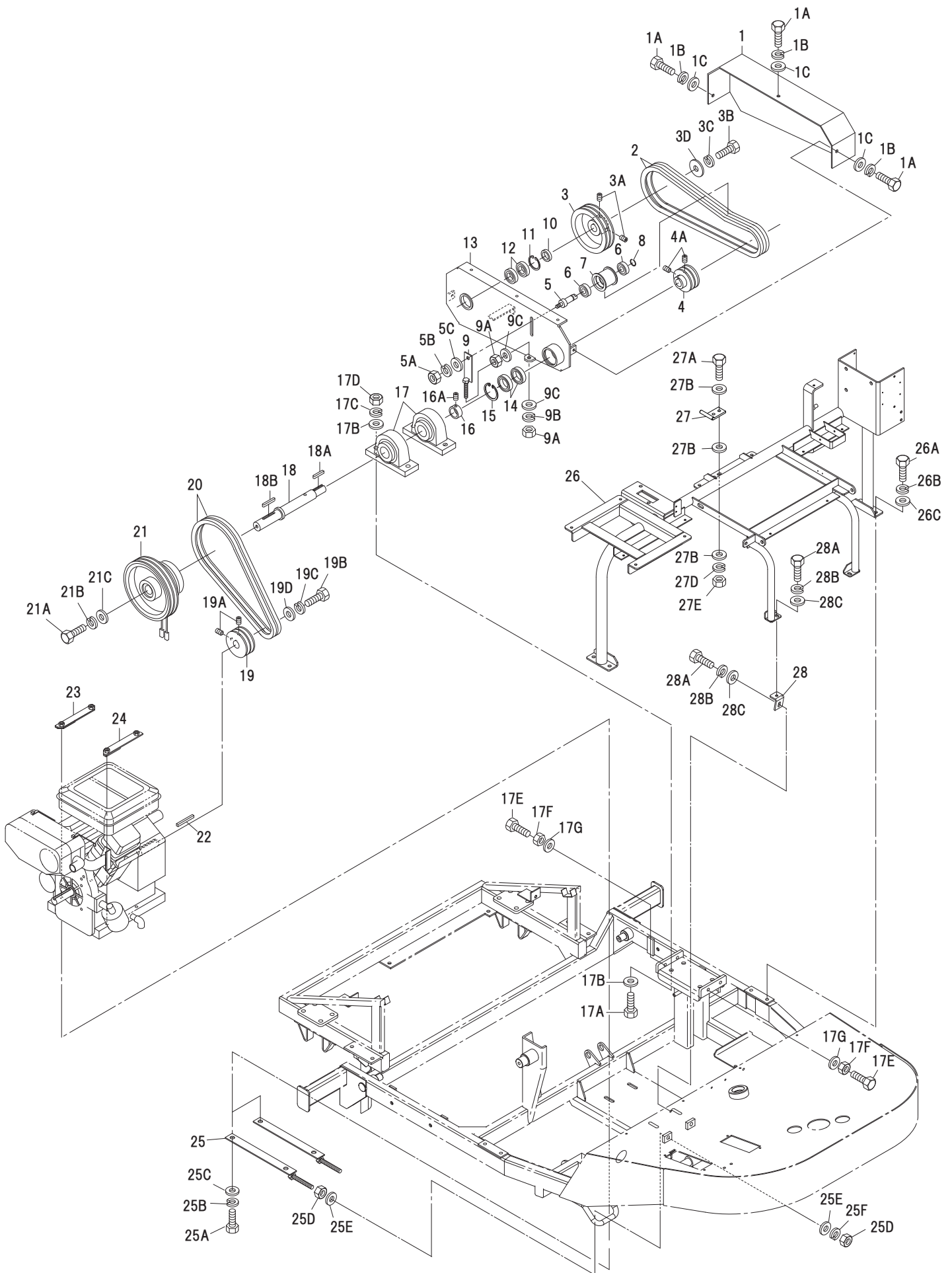
G CASING ROLLER



HS-806U
H CASING COVER


HS-806U

I ELECTROMAGNETIC CLUTCH



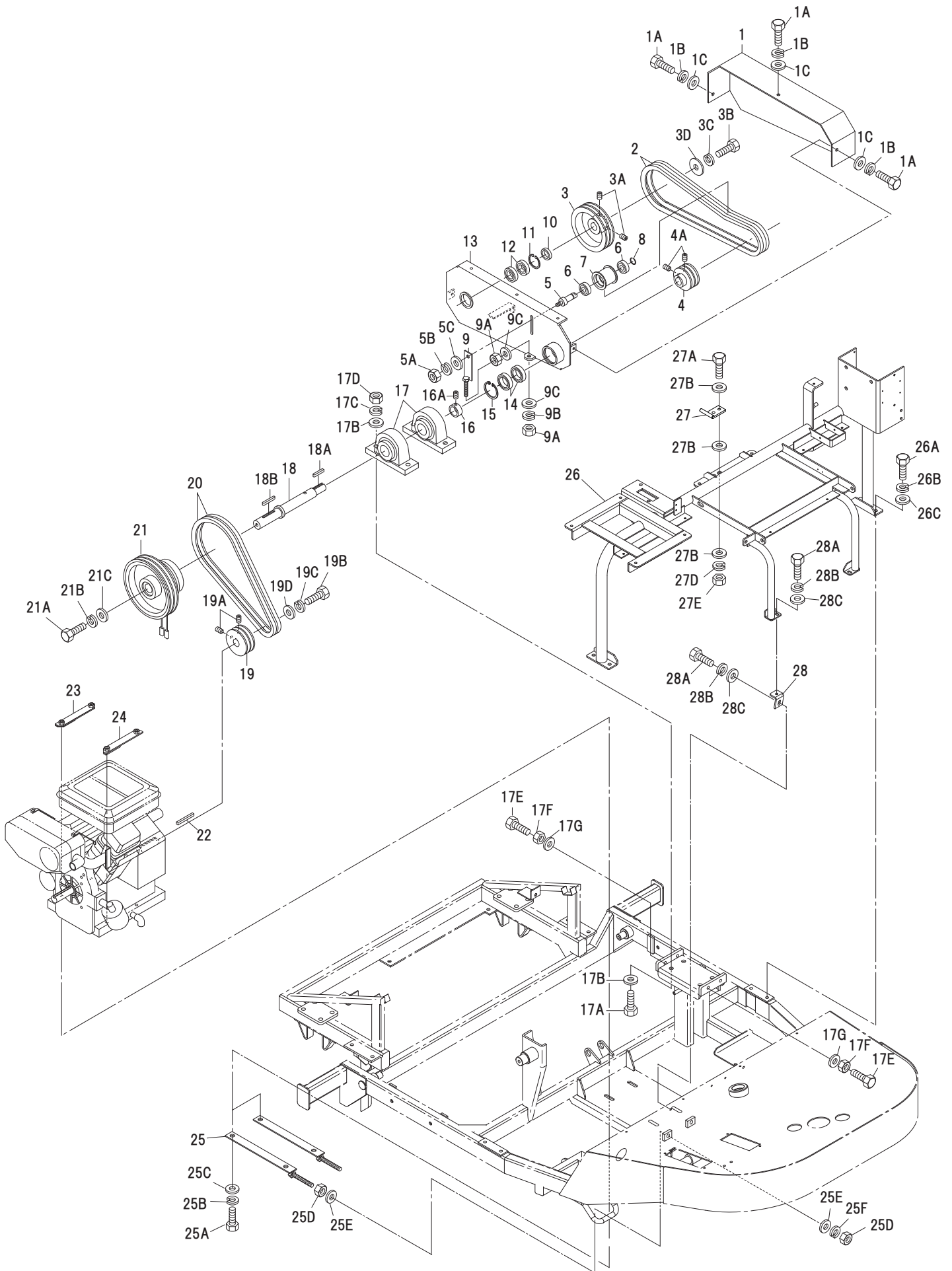
HS-806U

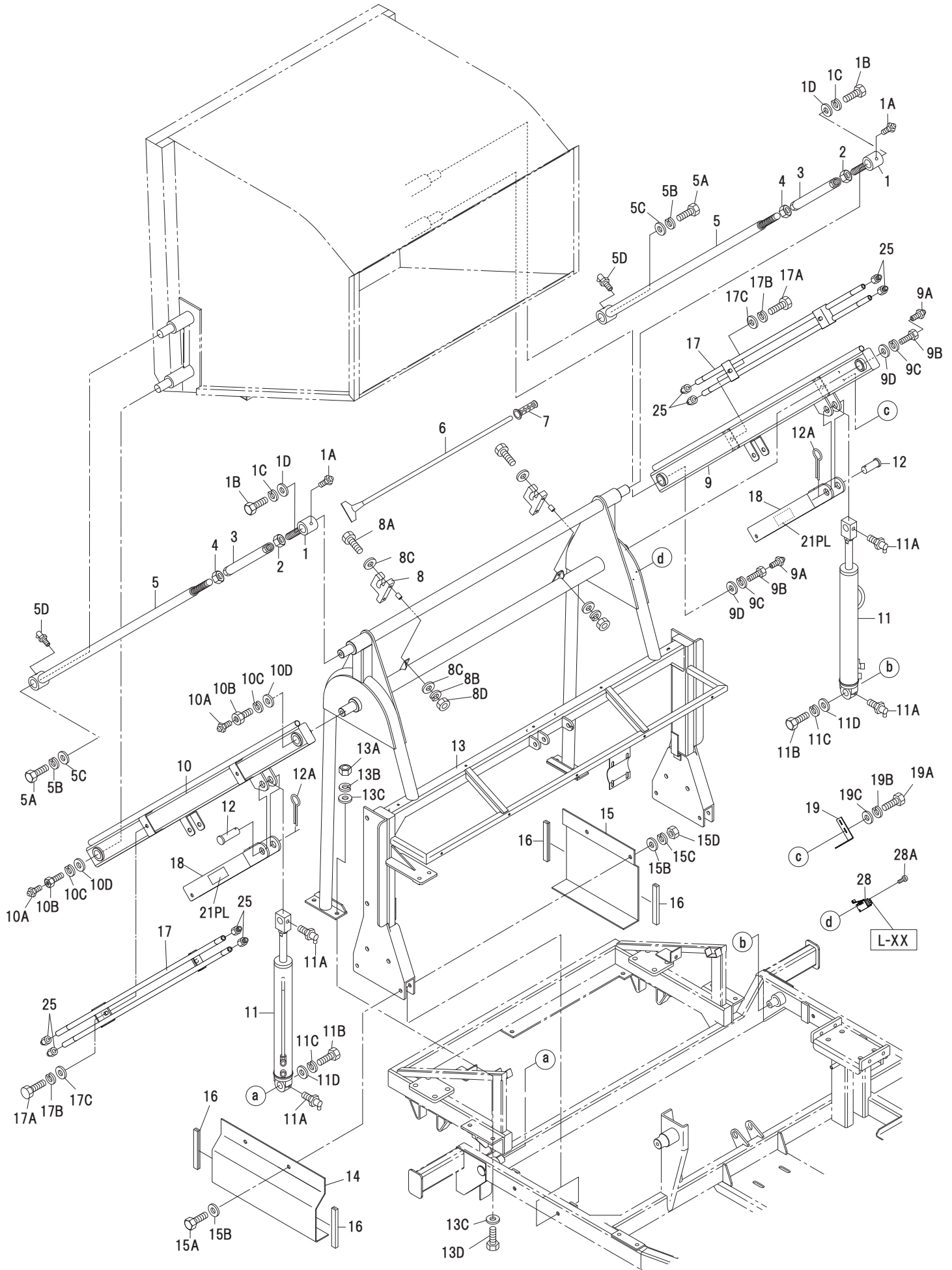


Item	Code	Parts Name	QTY	Specification	Note
I-1	K32604200A	Roter belt cover	1		
I-1A	K09081600	M8 × 16 Bolt	3		
I-1B	K09080300	M8 Spring Washer	3		
I-1C	K09080200	M8 Washer	3		
I-2	K01074400	V-belt SA-44	2		
I-3	K31502807	Roter pulley (Left)	1	6-A2	
I-3A	K09081290	M8 × 12 Hollow set	2		
I-3B	K09082000	M8 × 20 Bolt	1		
I-3C	K09080300	M8 Spring Washer	1		
I-3D	K09080204	M8 Big Washer	1	8 × 40 × 3.2	
I-4	K31517301A	Pulley, center	1	3-A2	
I-4A	K09081290	M8 × 12 Hollow set	2		
I-5	K31503103	Tension pulley shaft	1		
"	K31503199	Belt tension pulley Assembly	1		I-5.6,7,8
I-5A	K09100100	M10 Nut	1		
I-5B	K09100300	M10 Spring Washer	1		
I-5C	K09100200	M10 Washer	1		
I-6	K02203500	Bearing 6203LL	2		
I-7	K30606600	Belt tension pulley B-2	1		
I-8	K08501700	Snap ring S-17	1		
I-9	K31503205	Roter tension pull board	1		
I-9A	K09100100	M10 Nut	2		
I-9B	K09100300	M10 Spring Washer	1		
I-9C	K09100200	M10 Washer	2		
I-10	K31518701	Roter shaft collar	1	φ 35 × 25.1 × 8	
I-11	K08604700	Snap ring R-47	1		
I-12	K02105500	Bearing 6005LL	2		
I-13	K32601000	Roter shaft side board (Left)	1		
I-14	K02106500	Bearing 6006LL	2		
I-15	K08605500	Snap ring R-55	1		
I-16	K31514501	Electromagnetic clutch shaft collar	1		
I-16A	K09081090	M8 × 10 Hollow set	1		
I-17	K03010600	Pillow block UCP-206	2		
I-17A	K09145000	M14 × 50 Bolt	4		
I-17B	K09140200	M14 Washer	8		
I-17C	K09140300	M14 Spring Washer	4		
I-17D	K09140100	M14 Nut	4		
I-17E	K09103000	M10 × 30 Bolt	4		
I-17F	K09100100	M10 Nut	4		
I-17G	K09100200	M10 Washer	4		
I-18	K31502903	Electromagnetic clutch shaft	1		
I-18A	K04024301	Machine Key 7 × 7 × 43 : one round/ one square	1		
I-18B	K04023602	Machine Key 7 × 7 × 36 Both side round	1		
I-19	K31517202	Stub shaft pulley	1	3·1/2-A2	
I-19A	K09081290	M8 × 12 Hollow set	2		
I-19B	K31517220	Stub shaft pulley stop bolt	1	NF3/8 × 1·1/2	
I-19C	K09100300	M10 Spring Washer	1		
I-19D	K31504200	pressing Washer	1	35 × 11 × 3	
I-20	K01073400	V-belt SA-34	2		
I-21	K31512503	Electromagnetic clutch TMC7EW-01	1		
I-21A	K09102000	M10 × 20 Bolt	1		
I-21B	K09100300	M10 Spring Washer	1		
I-21C	K31504200	pressing Washer	1	35 × 11 × 3	
I-22	K04063801	Key 1/4 × 1/4 × 38 : one round/ one square	1		
I-23	K31532400	Engine mount fitting (Left)	1		

HS-806U

I ELECTROMAGNETIC CLUTCH

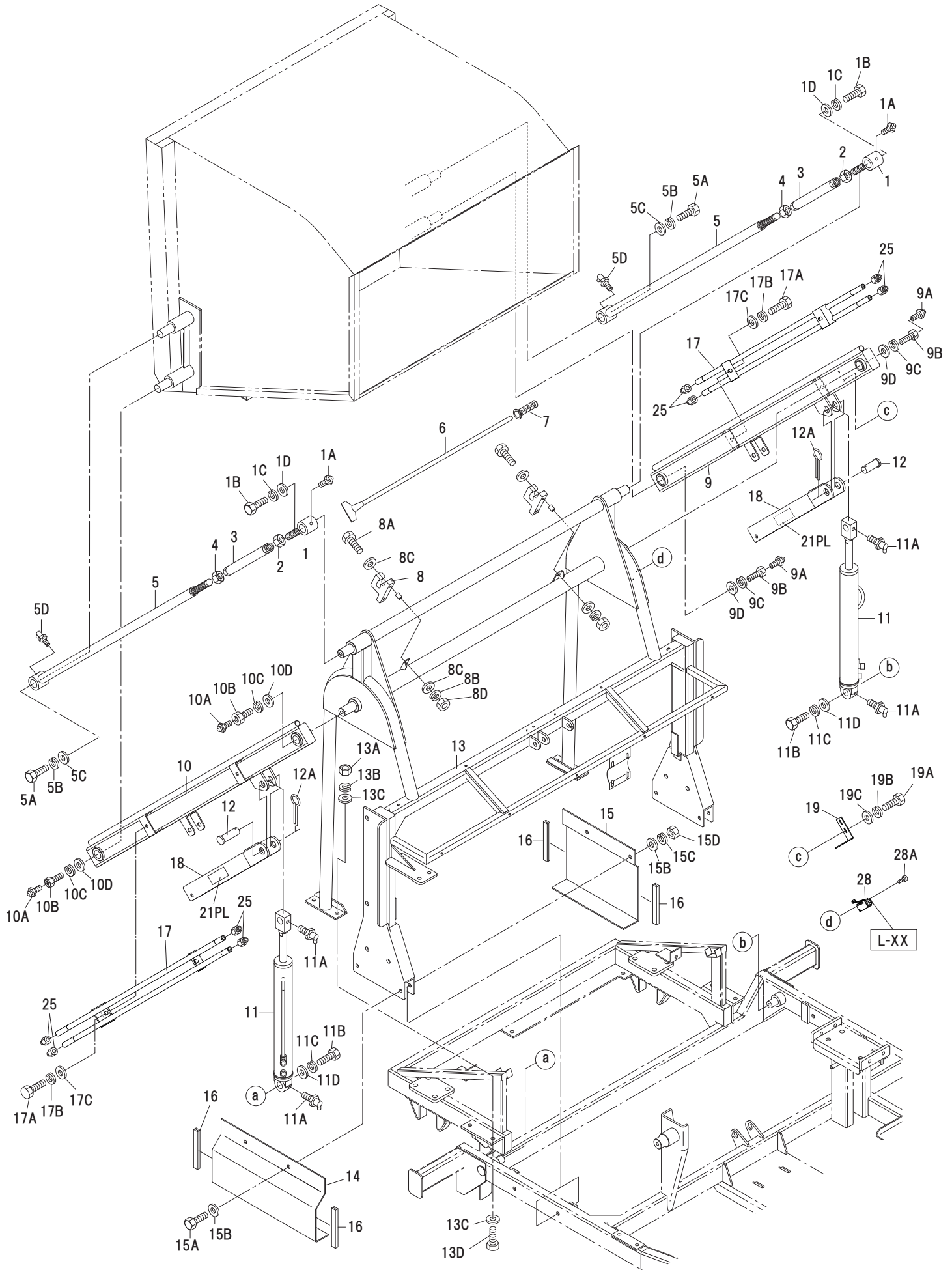


HS-806U
J LIFT ARM


HS-806U

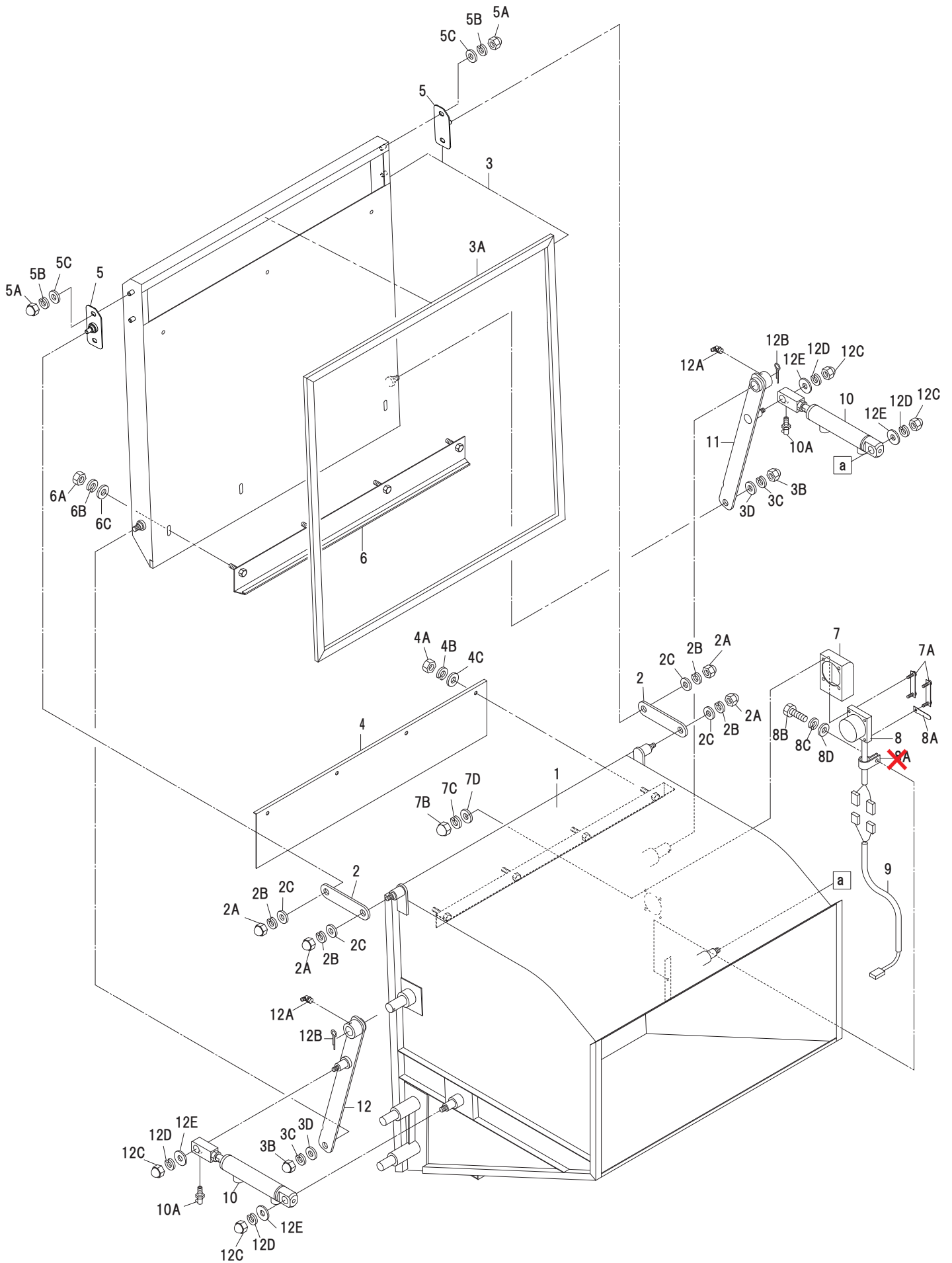


Item	Code	Parts Name	QTY	Specification	Note
J-1	K31507301	Adjust bolt, Upper arm	2		
J-1A	K20251500	Grease nipple 1/8 Straight	2		
J-1B	K09102000	M10 × 20 Bolt	2		
J-1C	K09100300	M10 Spring Washer	2		
J-1D	K31504200	pressing Washer	2	35 × 11 × 3	
J-2	K09220110A	M22 Nut P1.5	2		
J-3	K31515600	Turn backle fitting	2		
J-4	K09220111A	M22 Nut P1.5 (Reverse)	2		
J-5	K31540500	Upper arm	2		
J-5A	K09102000	M10 × 20 Bolt	2		
J-5B	K09100300	M10 Spring Washer	2		
J-5C	K31504200	pressing Washer	2	35 × 11 × 3	
J-5D	K31560400	Grease nipple 1/8 45°	2		
J-6	K31517600	Spatula	1		
J-7	K31560600	Grip	1		
J-8	K31560700	Hanger, for Spatula	2		
J-8A	K09062500	M6 × 25 Bolt	4		
J-8B	K09060300	M6 Spring Washer	2		
J-8C	K09060200	M6 Washer	4		
J-9	K32801400	Main arm (Left)	1		
J-9A	K20251500	Grease nipple 1/8 Straight	2		
J-9B	K31508100	Dump arm shaft stop Bolt	2		
J-9C	K09100300	M10 Spring Washer	2		
J-9D	K31504200	pressing Washer	2	35 × 11 × 3	
J-10	K32801500	Main arm (Right)	1		
J-10A	K20251500	Grease nipple 1/8 Straight	2		
J-10B	K31508100	Dump arm shaft stop Bolt	2		
J-10C	K09100300	M10 Spring Washer	2		
J-10D	K31504200	pressing Washer	2	35 × 11 × 3	
J-11	K31508406L	Lift cylinder (Left)	1		
"	K31508406R	Lift cylinder (Right)	1		
J-11A	K31560400	Grease nipple 1/8-45°	4		
J-11B	K09081600	M8 × 16 Bolt	2		
J-11C	K09080300	M8 Spring Washer	2		
J-11D	K09080202	M8 Washer 26 × 2.6	2		
J-12	K32801600	Pin, Hopper cylinder	2		
J-12A	K09040535	Split pin 4 × 35	2		
J-13	K32803101A	Hopper arm mount	1		
J-13A	K09100100	M10Nut	4		
J-13B	K09100300	M10 Spring Washer	4		
J-13C	K09100200	M10 Washer	8		
J-13D	K09103000	M10 × 30 Bolt	4		
J-14	K32803700	Hydraulic hose guide (Outside)	1		
J-15	K31525900	Hydraulic hose guide (Inside)	1		
J-15A	K09106500	M10 × 65 Bolt	4		
J-15B	K09100200	M10 Washer	8		
J-15C	K09100300	M10 Spring Washer	4		
J-15D	K09100100	M10 Nut	4		
J-16	K31560500	Rubber 120L	4		
J-17	K31541300	Hydraulic Pipe	2		
J-17A	K09082000	M8 × 20 Bolt	4		
J-17B	K09080300	M8 Spring Washer	4		
J-17C	K09080200	M8 Washer	4		
J-18	K32803200B	Hopper arm lock	2		

HS-806U
J LIFT ARM


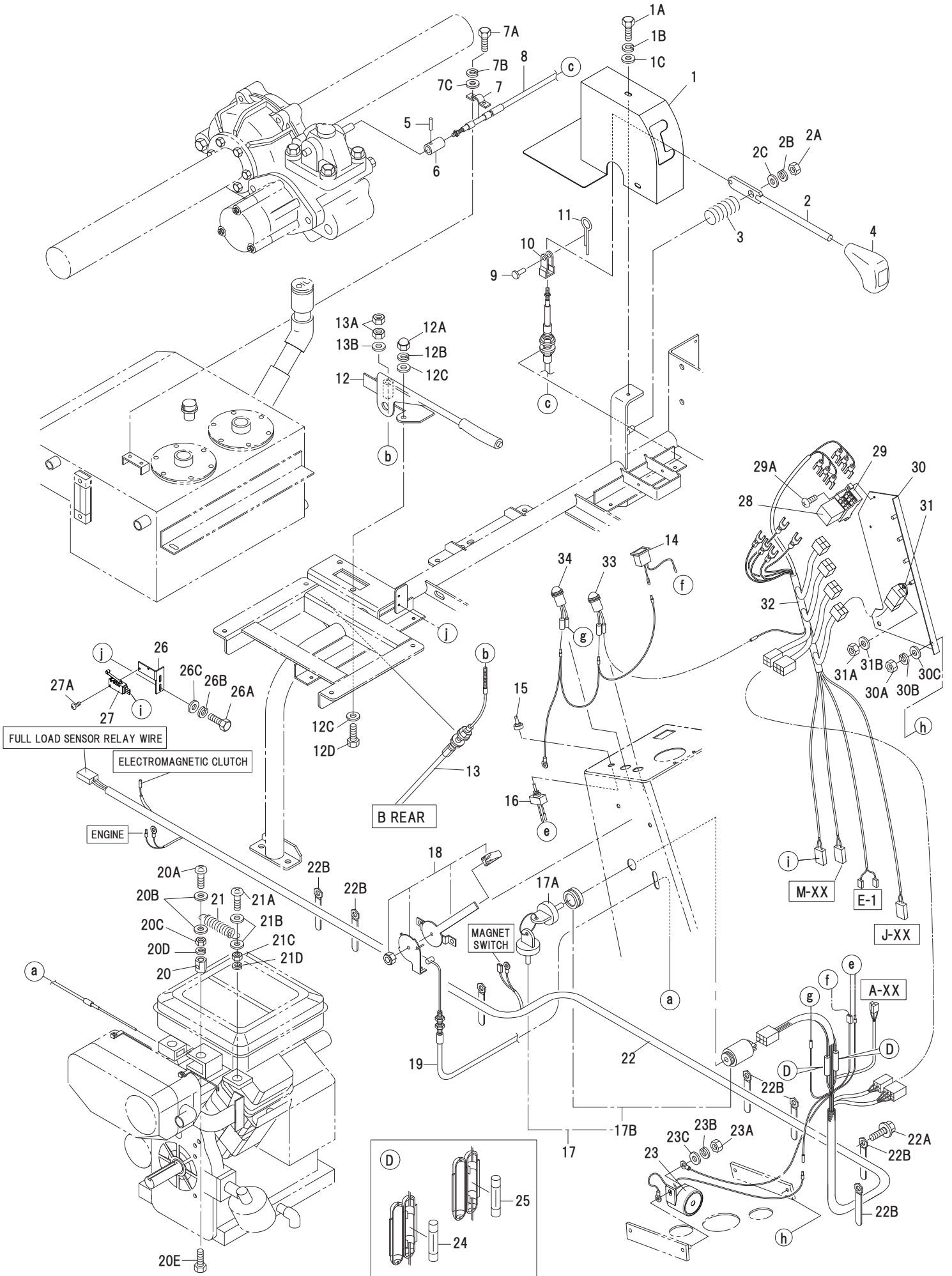
HS-806U

K HOPPER



HS-806U

L HARNESS



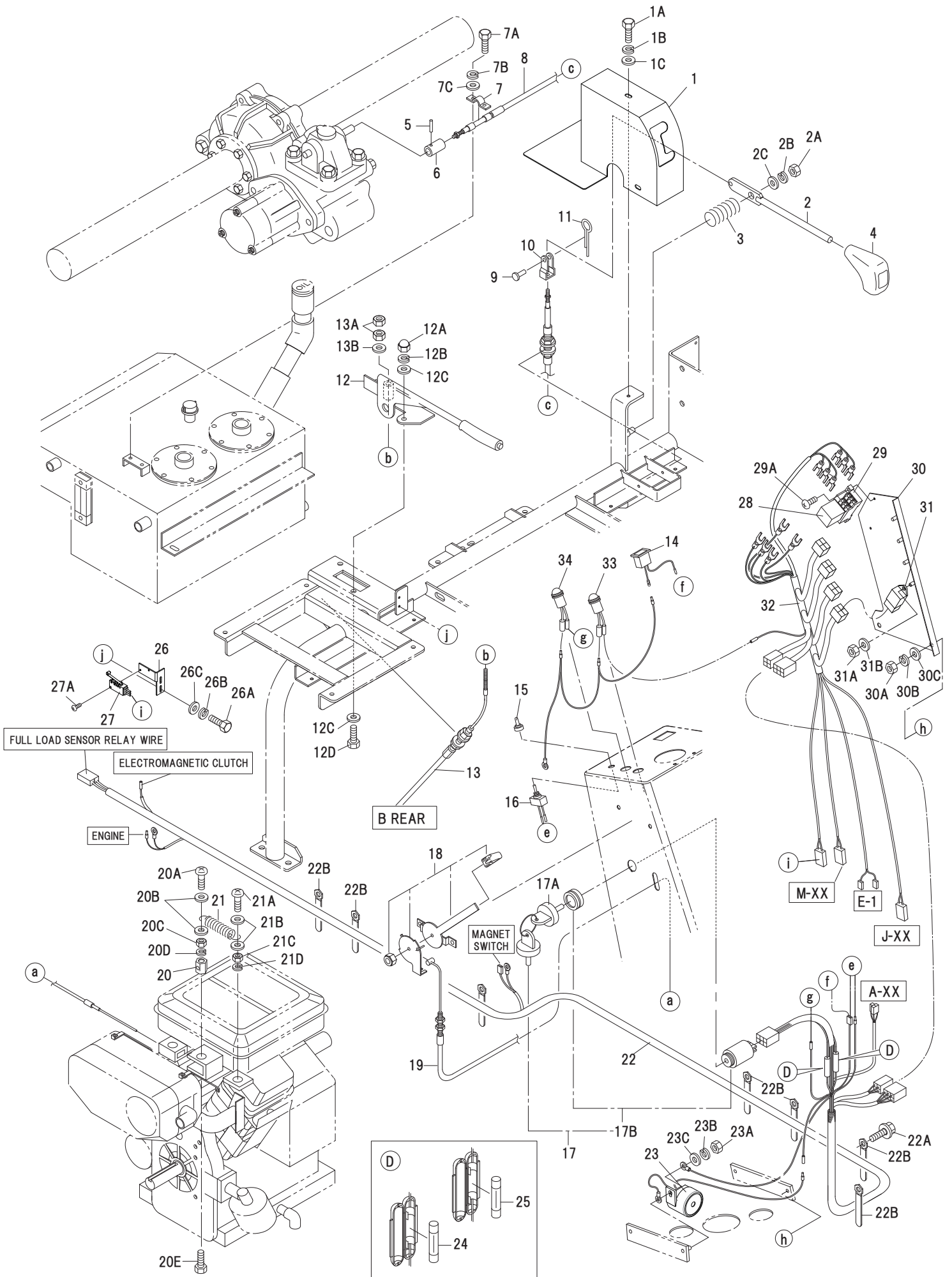
HS-806U

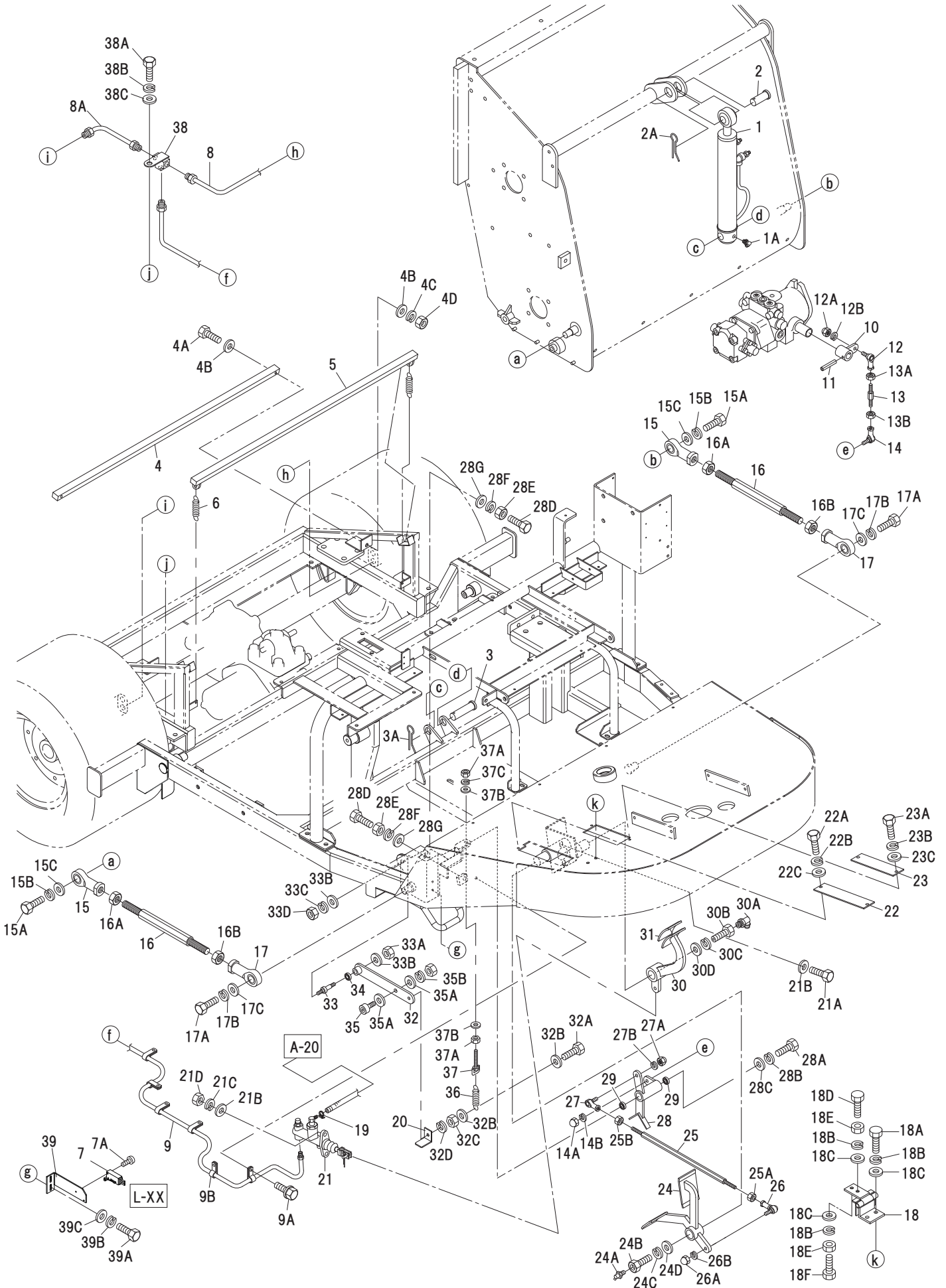


Item	Code	Parts Name	QTY	Specification	Note
L-1	K32800600	Guide box, Transmission	1		
L-1A	K09061200	M6 × 12 Bolt	3		
L-1B	K09060300	M6 Spring Washer	3		
L-1C	K09060201	M6 Big Washer	3	6 × 16 × 1	
L-2	K31510604	Lever, Transmission	1		
L-2A	K09100100	M10 Nut	1		
L-2B	K09100300	M10 Spring Washer	1		
L-2C	K09100200	M10 Washer	1		
L-3	K31524300	Spring, Transmission lever	1		
L-4	K31566700	Grip, Transmission lever	1		
L-5	K31561600	Roll pin Φ5 × 22	1		
L-6	K31501604	Metal fitting, Transmission wire	1		
L-7	K31561700	Clamp	1		
L-7A	K09061500	M6 × 15 Bolt	2		
L-7B	K09060300	M6 Spring Washer	2		
L-7C	K09060200	M6 Washer	2		
L-8	K31512404	Wire, Transmission	1		
L-9	K31562000	Clevis pin	1		
L-10	K31561900	Clevis	1		
L-11	K31562100	Clevis R-pin	1		
L-12	K20241000	Lever, Parking brake	1		
L-12A	K09080104	M8 Cap nut	2		
L-12B	K09080300	M8 Spring Washer	2		
L-12C	K09080200	M8 Washer	4		
L-12D	K09082000	M8 × 20 Bolt	2		
L-13	K21402603	Parking brake wire (Front)	1		
L-13A	K09060100	M6 Nut	2		
L-13B	K09060200	M6 Washer	1		
L-14	K30657601	Hour meter	1		
L-15	K31562300	Waterproof cap, Switch	1		
L-16	K31531600A	Switch Assembly, Operation	1		
L-17	K31562799	Keyswitch Assembly	1		
L-17A	K31562800	Key	1		
L-17B	K31562700	Keyswitch	1		
L-18	K31517199	Throttle lever Assembly	1		
L-19	K31516701A	Throttle wire	1		
L-20	K31566800	Throttle wire hold fitting	1		
L-20A	K09041532	M4 × 15 Round head screw	1		
L-20B	K09040200	M4 Washer	2		
L-20C	K09040100	M4 Nut	1		
L-20D	K09040300	M4 Spring Washer	1		
L-20E	K09040641	M4 × 6 Hex socket head cap bolt	1		
L-21	K31528200	Throttle return spring	1		
L-21A	K09051532	M5 × 15 Round head screw	1		
L-21B	K09050200	M5 Washer	2		
L-21C	K09050100	M5 Nut	1		
L-21D	K09050300	M5 Spring Washer	1		
L-22	K32802700C	WIRNG-1	1		
L-22A	K09061230	M6 × 12 Flange Bolt	7		
L-22B	K31558600	wire hold fitting	7		
L-23	K31562900	Buzzer	1		
L-23A	K09061200	M8Nut	1		
L-23B	K09060300	M8 Spring Washer	1		
L-23C	K09060200	M8 Washer	1		
L-24	K0H001010	Glass Tube fuse 10A	1		

HS-806U

L HARNESS

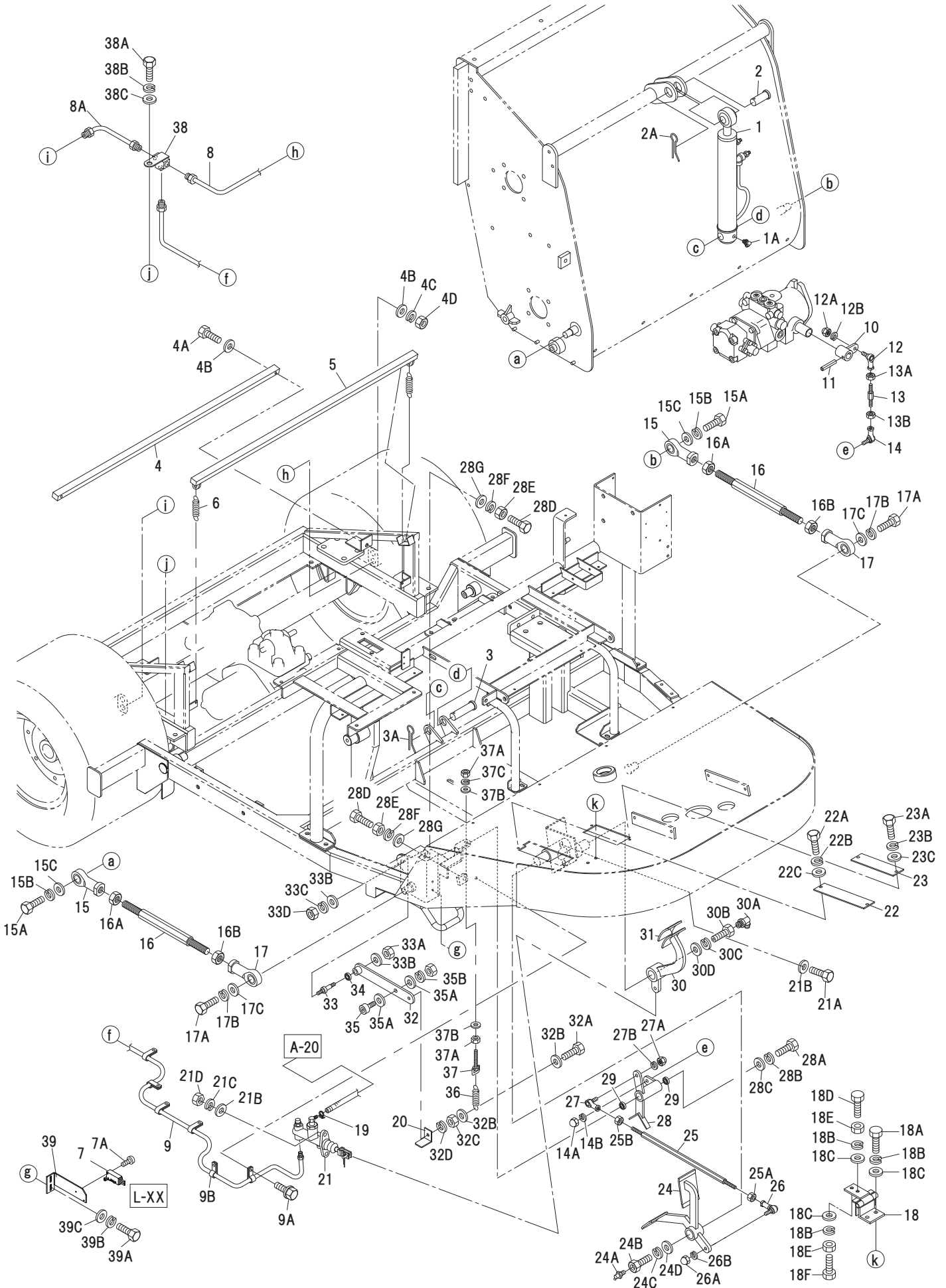




HS-806U



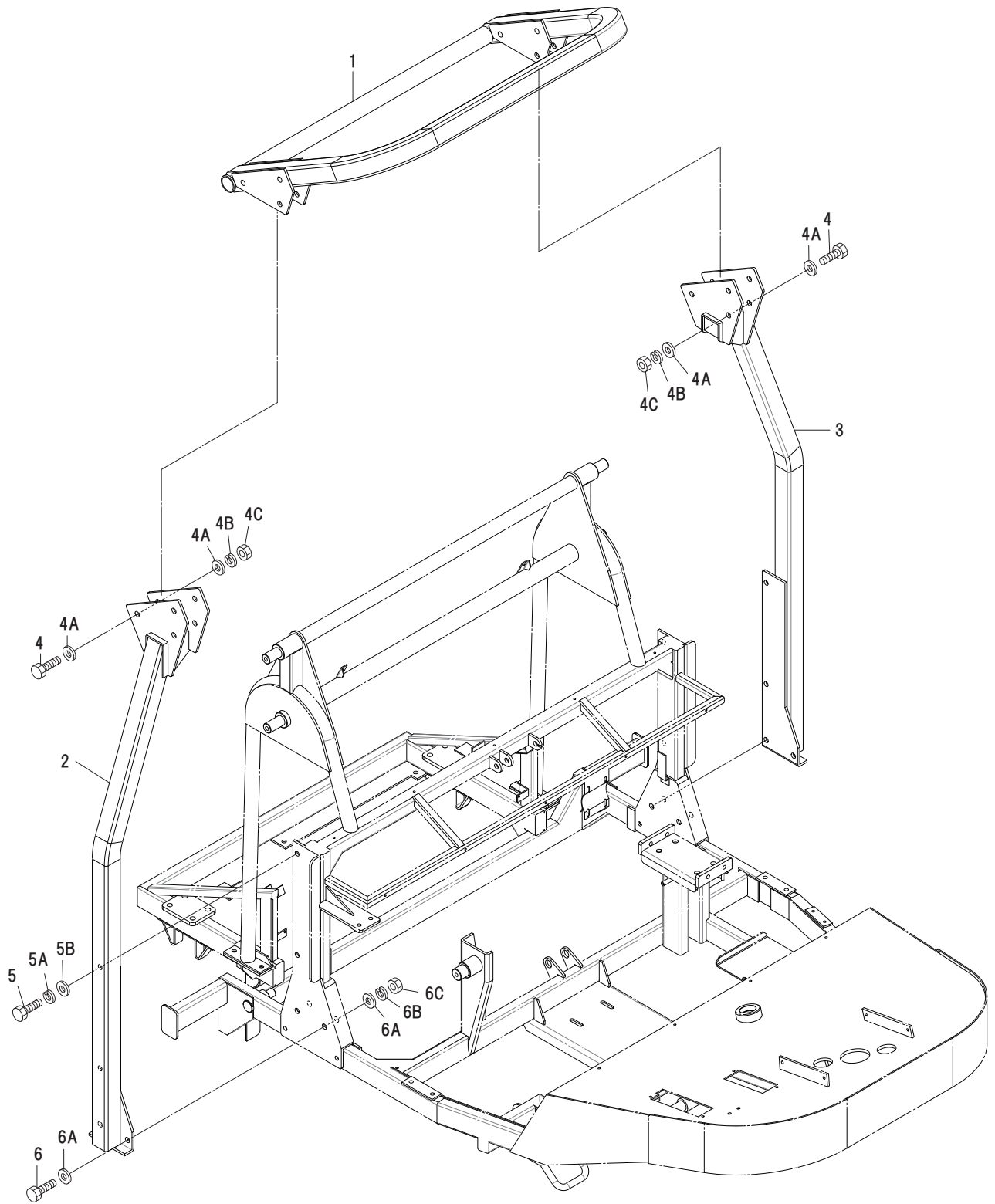
Item	Code	Parts Name	QTY	Specification	Note
M-1	K31520502	Cylinder, Brush box	1		
M-1A	K31560410	Grease nipple 1/8-90°	1		
M-2	K31521900	Pin-A, Cylinder	1		
M-2A	K09040535	Split pin 4 × 35	1		
M-3	K31525700	Pin-D, Cylinder	1		
M-3A	K09040535	Split pin 4 × 35	1		
M-4	K31529100	Pipe, Hopper receiver	1		
M-4A	K09064500	M6 × 45 Bolt	2		
M-4B	K09060201	M6 Big Washer	4	6 × 16 × 1	
M-4C	K09060300	M6 Spring Washer	2		
M-4D	K09060100	M6 Nut	2		
M-5	K31531100	Cradle, Hopper	1		
M-5A		Rubber	1		
M-6	K31528301	Spring, Neutral	2		
M-7	K32801800	Limit switch	2		
M-7A	K09031510	M3 × 15 Pan head screw	4		
M-8	K31565020	Brake Pipe (Left)	1	1320L	
M-8A	K31565030	Brake Pipe (Right)	1	470L	
M-9	K31564201	Brake Pipe Front and Rear	1	1760L	
M-9A	K09061230	M6 × 12 Flange Bolt	8		
M-9B	K31564300	Clip φ 10	8		
M-10	K31523900	Trunnion link	1		
M-11	K09063060	Roll pin φ 6 × 30	1		
M-12	K09BL08DL	Tie rod ends BL-8D-L	1		
M-12A	K09080104	M8 Cap nut	1		
M-12B	K09080300	M8 Spring Washer	1		
M-13	K31524101A	Lot A, Trunnion link	1		
M-13A	K09080101	M8 Nut (Left)	1		
M-13B	K09080100	M8 Nut	1		
M-14	K09BL08DR	Tie rod ends BL-8D-R	1		
M-14A	K09080104	M8 Cap nut	1		
M-14B	K09080300	M8 Spring Washer	1		
M-15	K09RBH18R	Tie rod ends RBH-18-R	2		
M-15A	K09081600	M8 × 16 Bolt	2		
M-15B	K09080300	M8 Spring Washer	2		
M-15C	K09080202	M8 Washer 26 × 2.6	2		
M-16	K31511202	Lot, hopper	2		
M-16A	K09180110A	M18 Nut	2		
M-16B	K09180111A	M18 Nut P1.5 (Left)	2		
M-17	K09RBH18L	Tie rod ends RBH-18-L	2		
M-17A	K09081600	M8 × 16 Bolt	2		
M-17B	K09080300	M8 Spring Washer	2		
M-17C	K09080202	M8 Washer 26 × 2.6	2		
M-18	K21807100	Pedal stopper	1		
M-18A	K09081600	M8 × 16 Bolt	2		
M-18B	K09080300	M8 Spring Washer	4		
M-18C	K09080200	M8 Washer	4		
M-18D	K09085000	M8 × 50 Bolt	1		
M-18E	K09080100	M8 Nut	2		
M-18F	K09082000	M8 × 20 Bolt	1		
M-19	N32002000	12mm Wire band	2		
M-20	K32803800	Metal fitting, Neutral SW	1		
M-21		Master Cylinder 3/4 Assembly	1		Include: M-21A
M-21A	K09083000	M8 × 30 Bolt	2		Master Cylinder stop Bolt
M-21B	K09080200	M8 Washer	4		

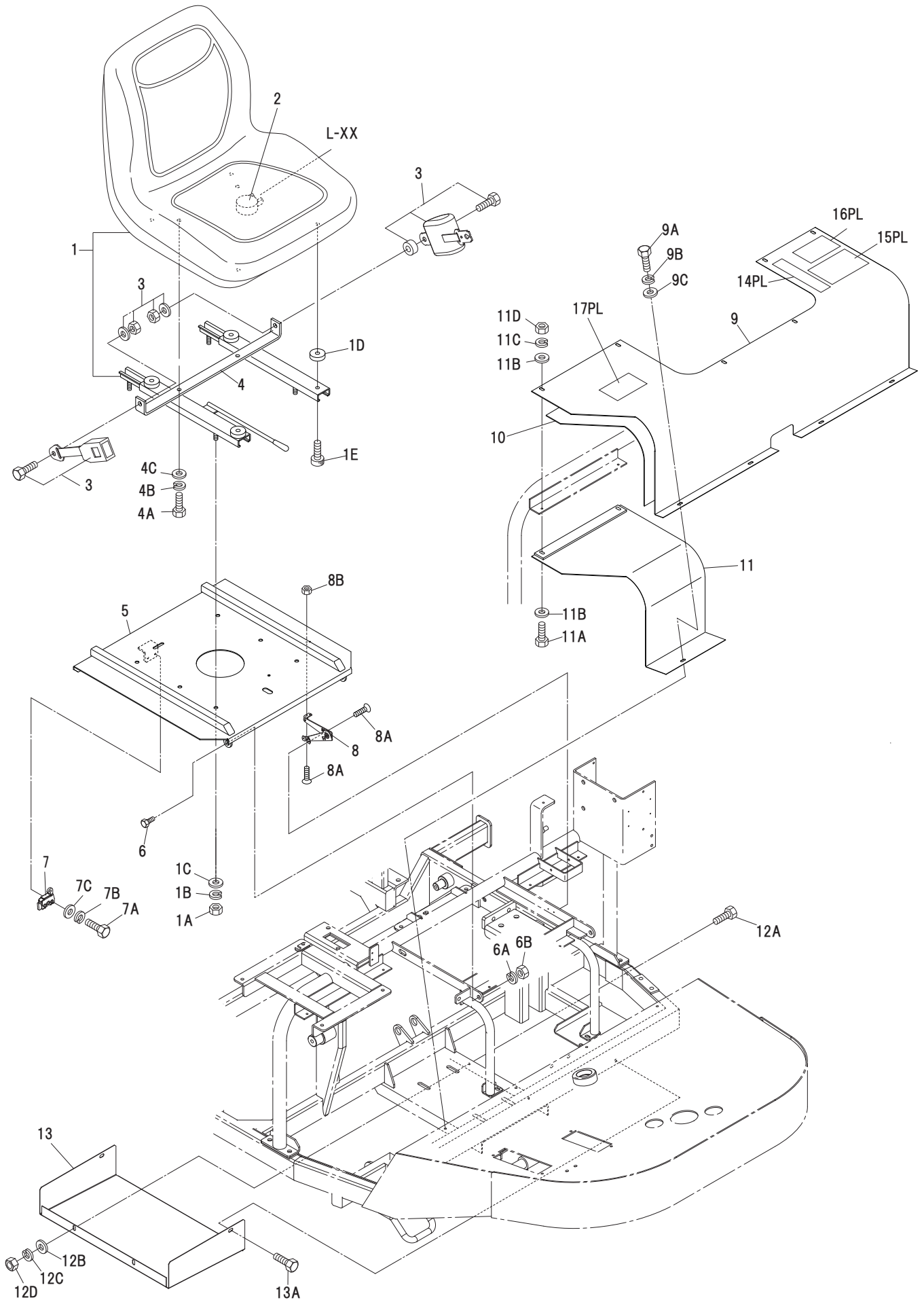


HS-806U



Item	Code	Parts Name	QTY	Specification	Note
M-21C	K09080300	M8 Spring Washer	2		
M-21D	K09080100	M8 Nut	2		
M-22	K31523500	Cover, Travel pedal	1		
M-22A	K09061230	M6 × 12 Flange Bolt	2		
M-23	K31515200	Cover, Brake pedal	1		
M-23A	K09061200	M6 × 12 Flange Bolt	2		
M-24	K31523704	Travel pedal	1		
M-24A	K31560410	Grease nipple 1/8-90°	1		
M-24B	K31508100	Dump arm stop Bolt	1		
M-24C	K09100300	M10 Spring Washer	1		
M-24D	K31504200	pressing Washer	1	35 × 11 × 3	
M-25	K31524201	Lot B, Trunnion link	1		
M-25A	K09080101	M8 Nut (Left)	1		
M-25B	K09080100	M8 Nut	1		
M-26	K09BL08DL	Tie rod ends BL-8D-L	1		
M-26A	K09080104	M8 Cap nut	1		
M-26B	K09080300	M8 Spring Washer	1		
M-27	K09BL08DR	Tie rod ends BL-8D-R	1		
M-27A	K09080104	M8 Cap nut	1		
M-27B	K09080300	M8 Spring Washer	1		
M-28	K31524002	Junktion Link, Trunnion	1		
M-28A	K09081600	M8 × 16 Bolt	1		
M-28B	K09080300	M8 Spring Washer	1		
M-28C	K09080203	M8 Washer 30 × 3.2	1		
M-28D	K09105500	M10 × 55 Bolt	2		For Trunnion
M-28E	K09100100	M10 Nut	2		
M-28F	K09100300	M10 Spring Washer	2		
M-28G	K09100200	M10 Washer	2		
M-29	K0B1812DU	Bush K5B1812	2		
M-30	K31509502	Brake Pedal	1		
M-30A	K31560400	Grease nipple 1/8 45°	1		
M-30B	K31508100	Dump arm stop Bolt	1		
M-30C	K09100300	M10 Spring Washer	1		
M-30D	K31504200	pressing Washer	1	35 × 11 × 3	
M-31	K31563600	Pedal rubber	1		
M-32	K31529700	Metal fitting, Cam follower	1		
M-32A	K09082500	M8 × 25 Bolt	1		
M-32B	K09080200	M8 Washer	2		
M-32C	K09080100	M8 Nut	1		
M-32D	K09080300	M8 Spring Washer	1		
M-33	K31529900	Pivot, Cam follower	1		
M-33A	K09080103	M8 U-Nut	1		
M-33B	K09080200	M8 Washer	2		
M-33C	K09080300	M8 Spring Washer	1		
M-33D	K09080100	M8 Nut	1		
M-34	K0B1020DU	bush K5B1020	1		
M-35	K31564700	Bearing KRV22XLL	1		Include: Nut
M-35A	K09100200	M10 Washer	2		
M-35B	K09100300	M10 Spring Washer	1		





HS-806U



Item	Code	Parts Name	QTY	Specification	Note
O-1	K14754090A	Seat	1		
O-1A	K09080100	M8 Nut	4		
O-1B	K09080300	M8 Spring Washer	4		
O-1C	K09080200	M8 Washer	4		
O-1D	K22220100	Seat: collar	4		
O-1E		Cap bolt	4		
O-2	K31555600	Seat Switch	1		
O-3	K32850112	Seat Belt	1		
O-4	K32805000	Seat belt attachment flange	1		
O-4A	K09082000	M8 × 20 Bolt	2		
O-4B	K09080300	M8 Spring Washer	2		
O-4C	K09080200	M8 Washer	2		
O-5	K32802300B	Seat attachment flange	1		
O-6	K31519100	Seat mount: stop bolt	2		
O-6A	K09100100	M10 Nut	2		
O-6B	K09100300	M10 Spring Washer	2		
O-7	K32850119	Snatch lock	1		
O-7A	K09062500	M6 × 25 Bolt	2		
O-7B	K09060300	M6 Spring washer	2		
O-7C	K09060200	M6 Washer	2		
O-8	K32850118	Movable hinge	1		
O-8A	K09030610	M3 × 6 Flat head bolt	4		
O-8B	K09030100	M3Nut	2		
O-9	K32802400A	Seat front cover	1		
O-9A	K09061200	M6 × 12 Flange Bolt	10		
O-10	K32850104	Heat insulation	1		
O-11	K32805200B	Heat Guard :Front cover	1		
O-11A	K09062000	M6 × 20 Bolt	2		
O-11B	K09060200	M6 Washer	4		
O-11C	K09060300	M6 Spring washer	2		
O-11D	K09060100	M6 Nut			
O-12	K31558600	Wire cramp	1		
O-12A	K09061230	M6 × 12 Flange Bolt	2		
O-12B	K09060300	M6 Spring washer	2		
O-12C	K09060200	M6 Washer	2		
O-12D	K09060100	M6 Nut	2		
O-13	K32801300A	Mud Guard	1		
O-13A	K09062000	M6 × 20 Bolt	2		
O-14	KM810008A	Decal: PL No.9	1		



Head Office: 1-5-58 Chifune Nishiyodogawa-ku Osaka Japan 555-0013
Tokyo Office: Sunrise Mansion 401 2-19-4 Iriya Adachi-ku Tokyo 121-0836