

CONTENS

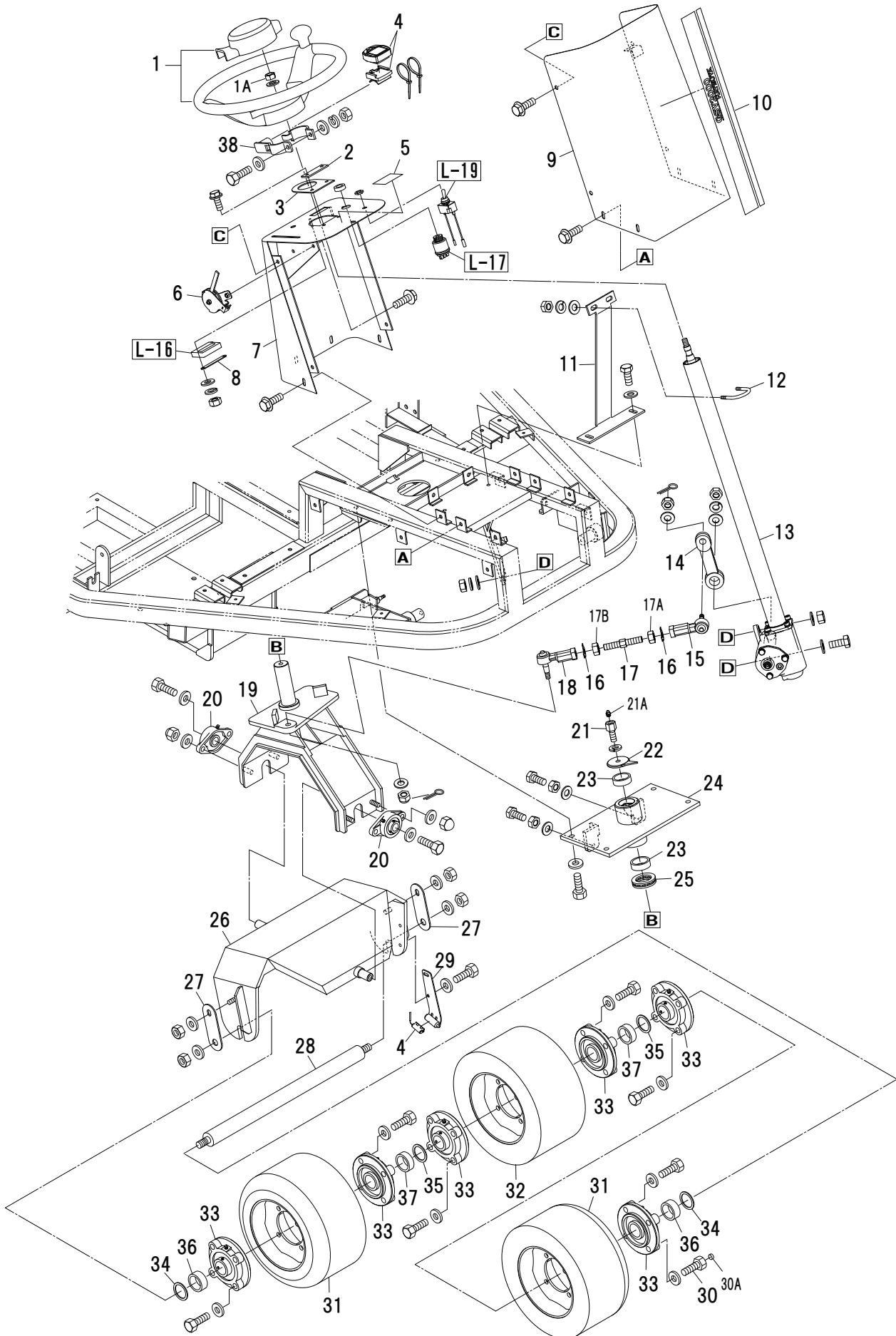
A FRONT	P.1~2
B REAR	P.3~4
C ENGINE	P.5~6
D HYDRAULIC	P.7~8
E HYDRAULIC PIPING	P.9~12
F DRIVE	P.13~14
G CONVEYOR	P.15~16
H HOPPER	P.17~18
I PEDAL	P.19~20
J SEATS	P.21~22
K COVER/MARKER	P.23~24
L HARNESS/WIRE	P.25~26

※ When ordering parts, please be sure to specify the index number, part code, part name, quantity, and aircraft number.

※ Please note that specifications are subject to change without prior notice due to product improvement.

GSV2000

A FRONT

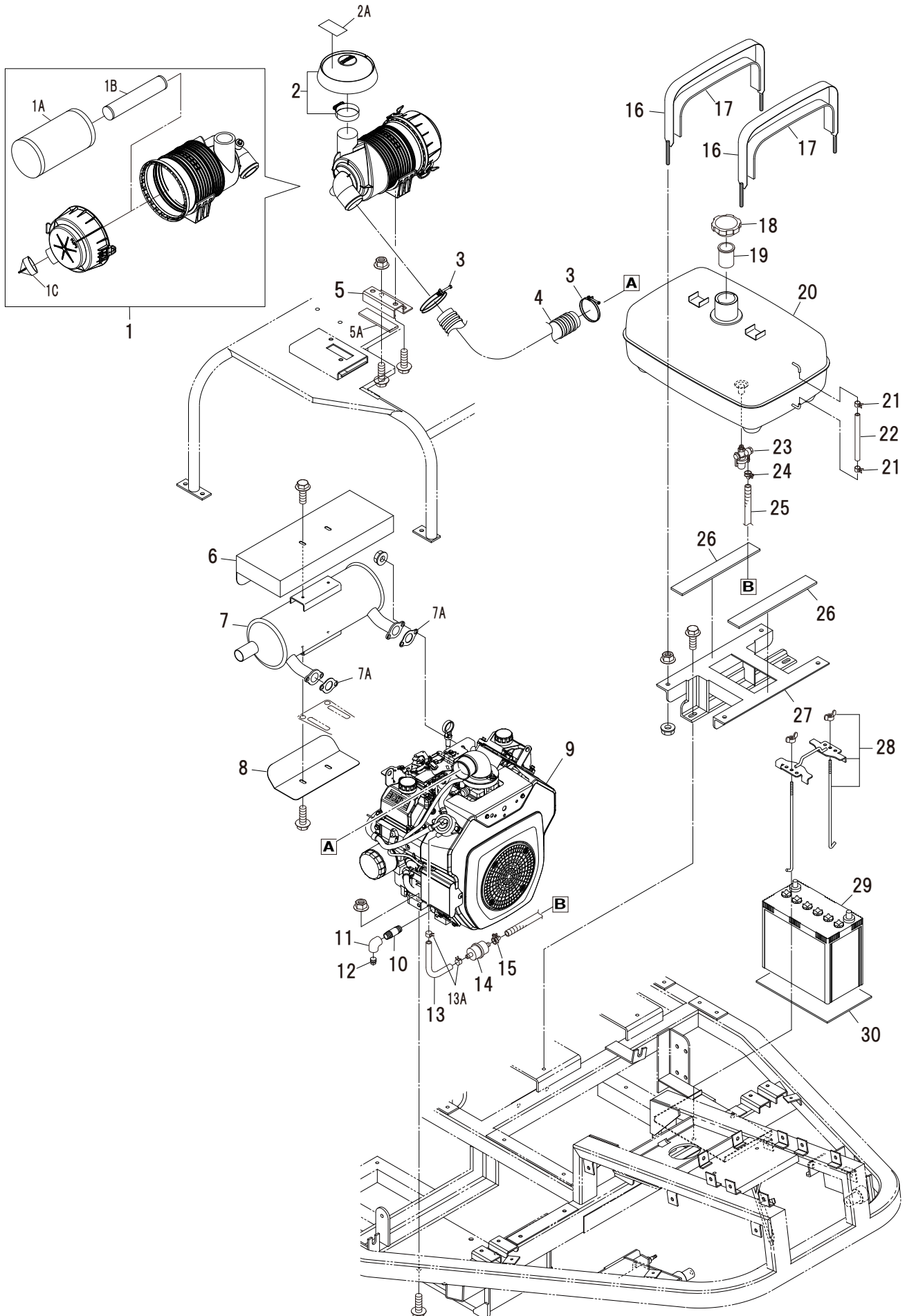


GSV2000

Item No	Parts Code	Name	Qty	Standard	Note
A- 1	K31580200	Handle	1		
A- 1A	K09140110	M14 Nut P1.5	1		
A- 2	K21807400	Handle post rubber plate holder	1		Serial No.2105 -
A- 3	K21807301	Handle Post Rubber Plate	1		Serial No.2105 -
A- 4	K15190000A	Speedometer	1	CC-RD200	Inc. A-30A
"	K15190070	Speedometer	1	SD-548B	Serial No.2123-
A- 5	KM801008A	PL seal Warning	1		
A- 6	K31718200	Throttle lever assembly	1		
A- 7	K22502400A	Front panel	1		Up to Serial No.2104
"	K22502401	Front Panel	1		Serial No.2105 -
"	K22502402	Front panel	1		Serial No.2123 -
A- 8	K21806600A	Tachometer Retaining Bracket	1		
A- 9	K22502200	Front panel cover	1		
A- 10	K22583100	Paste mark (front panel cover)	1		
A- 11	K22501600	Handle Fixing Arm	1		Up to Serial No.2104
"	K22501601	Handle Fixing Arm	1		Serial No.2105 -
A- 12	K09083240	U-bolt M8-32A	1		
A- 13	K31585001	Steering gear box	1		
A- 14	K31585021	Pitman Arm	1		
A- 15	K09SE4141L	Tie Rot End SE-4141L	1		
A- 16	K09140240	M14 Double Tongue Washer	2		
A- 17	K31508503	Drag ring	1		
A- 17A	K09140111	M14 Nut P1.5 (Left)	1		
A- 17B	K09140110	M14 nut P1.5 (right)	1		
A- 18	K09SE4141R	Tie Rot End SE-4141R	1		
A- 19	K31501308C	Front wheel fork (A)	1		
A- 20	K03030400	Pillow block UCFL204	2		
A- 21	K31508100	Dump main arm shaft retaining bolt	1		
A- 21A	K20251500	Grease nipple 1/8 straight	1		
A- 22	K20603010	Front wheel fork push washer	1		
A- 23	K0B3512DU	DU bush K5B3512	2		
A- 24	K22501500	Front wheel fork metal	1		
A- 25	K02507000	Thrust bearing 51107	1		
A- 26	K14704400	Front wheel fork (B)	1		
A- 27	K31501200	Front wheel fork plate	2		
A- 28	K31501006	Front shaft	1		
A- 29	K14704201	Speedometer mounting plate	1		
"	K14704203A	Speedometer mounting plate	1		Serial No.2123 -
A- 30	K14704500	Rotation sensor mounting bolt	1		Up to Serial No.2122
"	K14704501	Rotation sensor mounting bolt	1		Serial No.2123 -
A- 30A	to A-4	Speed sensor magnet	1		Accessory
"	K14704531	Speed sensor magnet	1		Serial No.2123 -
A- 31	K31501507	Front urethane tires (left and right)	2		
A- 32	K31501508	Front urethane tire (middle)	1		
A- 33	K03040700	Pillow block UCFC207	6		
A- 34	K31527800	Front shaft spacer shim 1mm	2		
A- 35	K31527820	Front shaft spacer shim 2mm	2		
A- 36	K31501109	Front shaft spacer (outside)	2	18mm	
A- 37	K31501110	Front shaft spacer (middle)	1	15mm	
A- 38	K21413400A	Speedometer mounting base	1		Serial No.2123 -

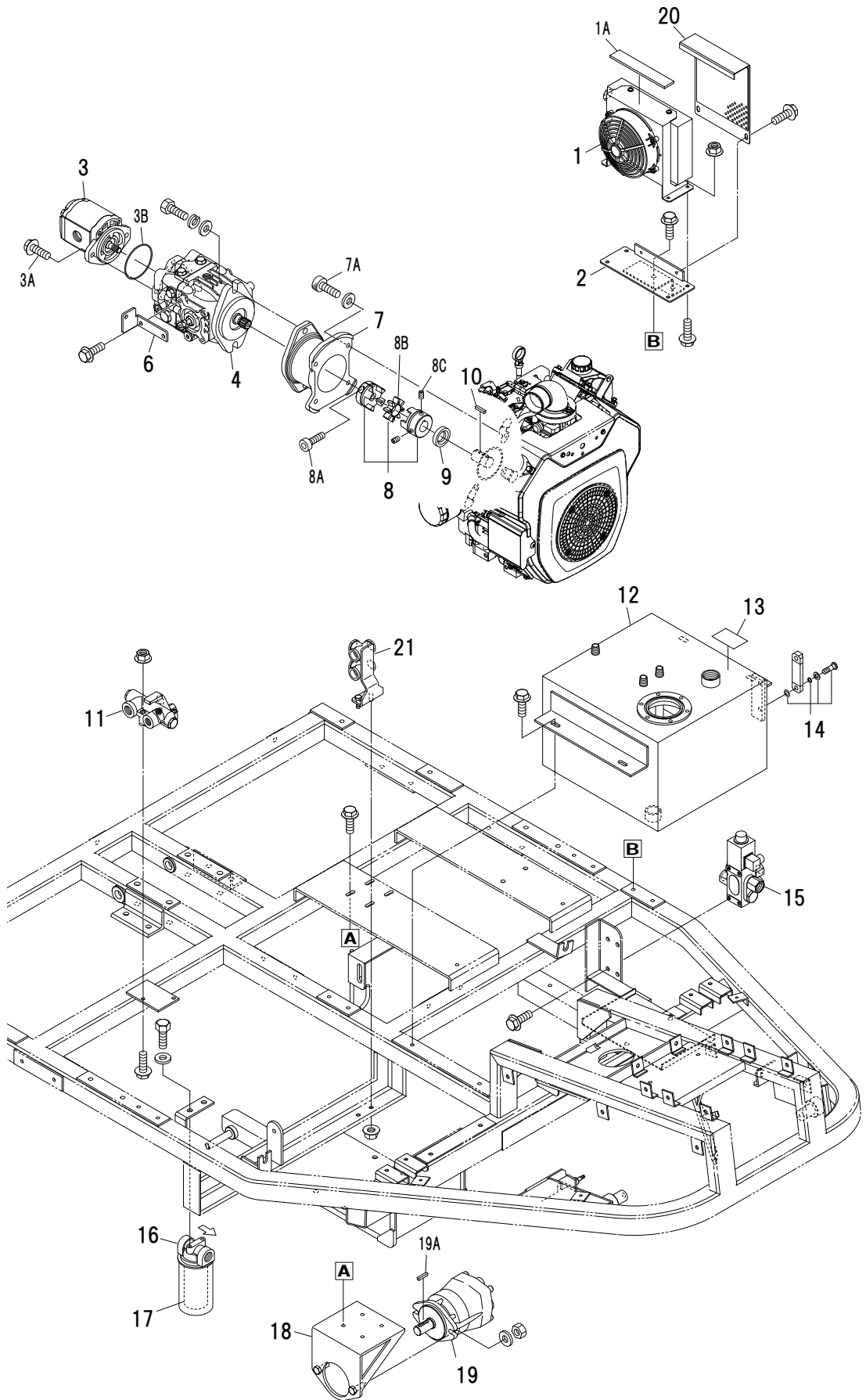
GSV2000

C ENGINE



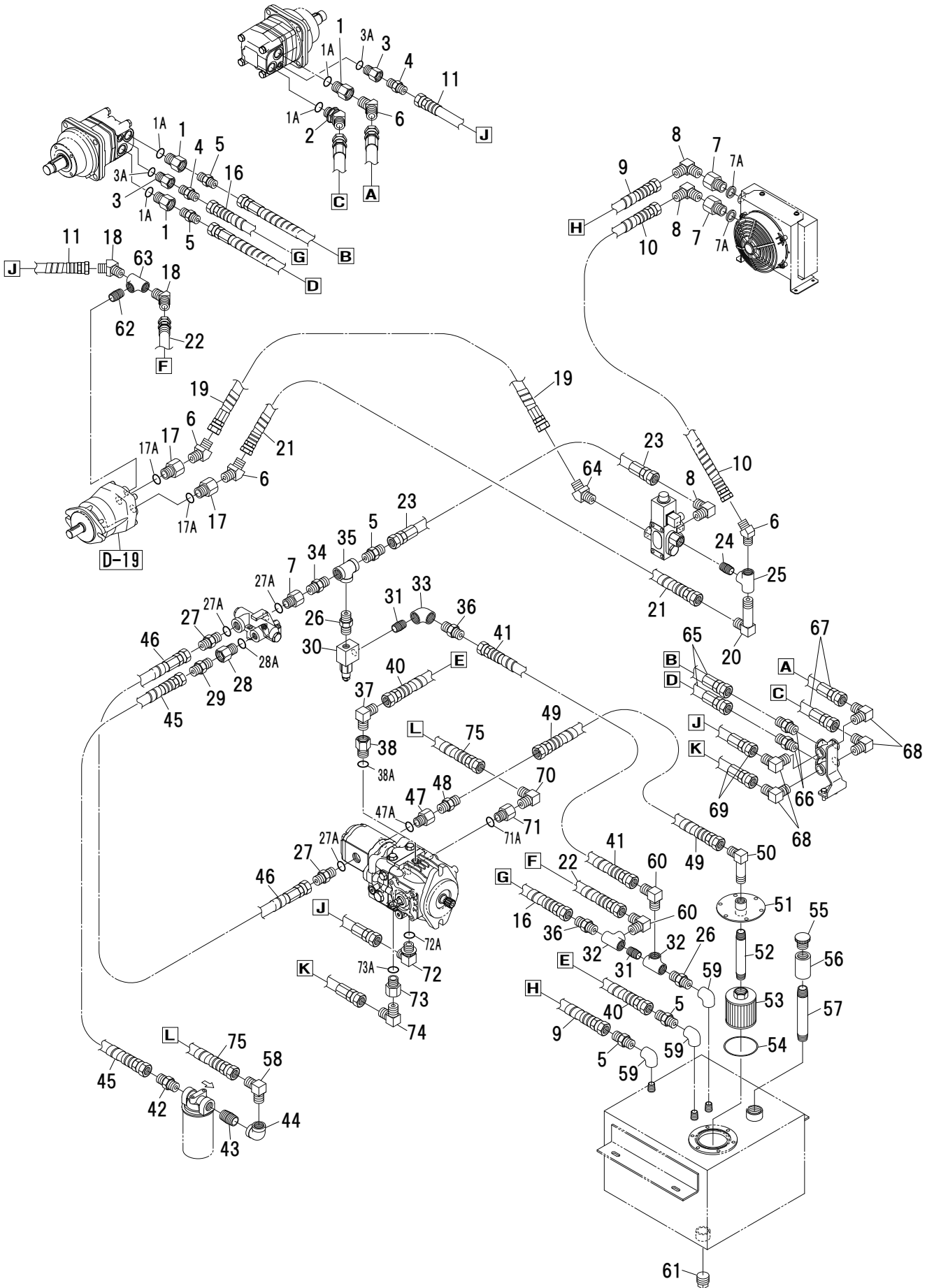
GSV2000

D HYDRAULIC



GSV2000

E HYDRAULIC PIPING

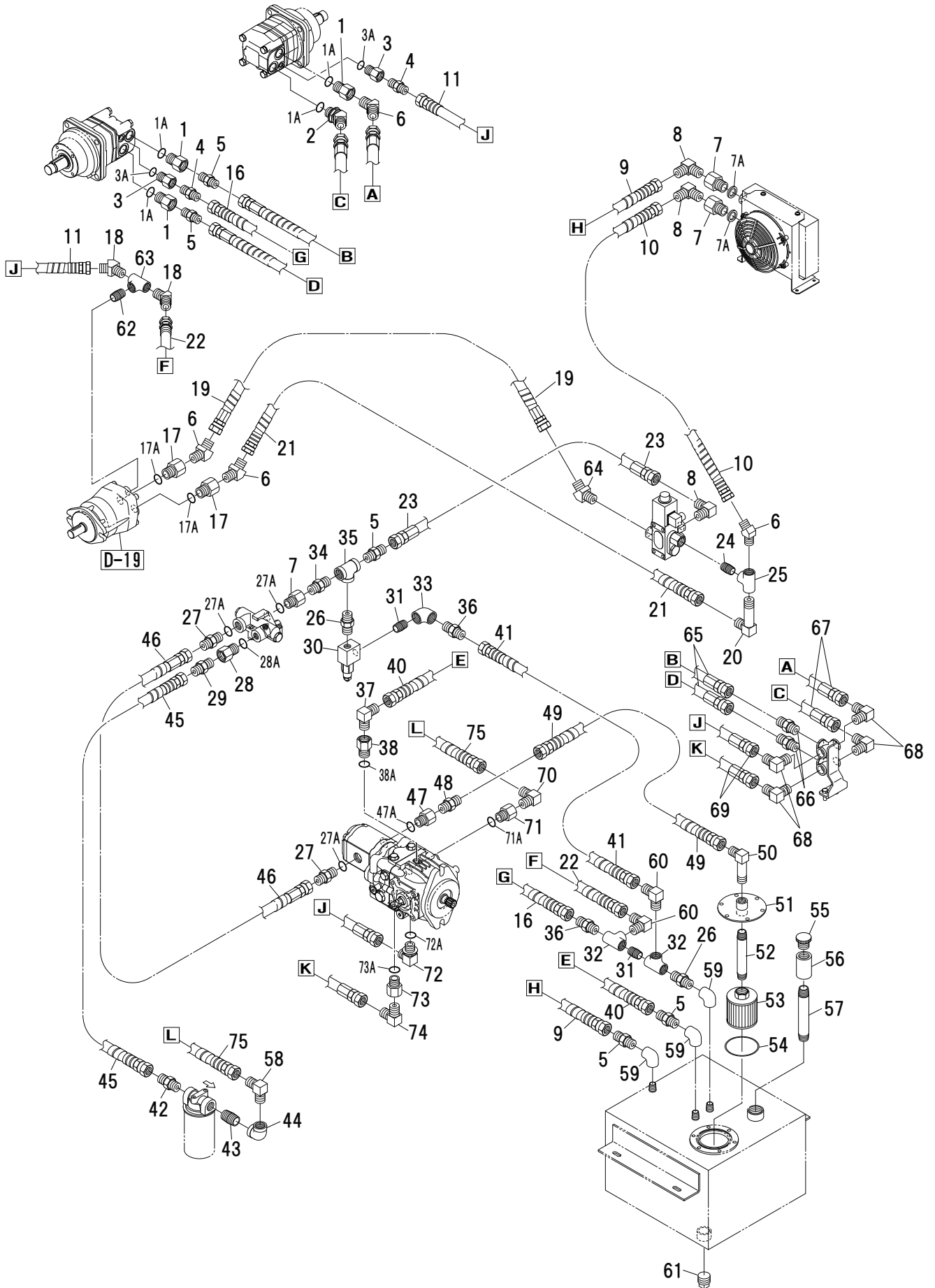


GSV2000

Item No	Parts Code	Name	Qty	Standard	Note
E- 1	K07A404308	Bush PT13UNFO16	3		
E- 1A	K084C9100	O-ring AS568-910	4		
E- 2	K07A107025	Seated adapter 45NSF13UNFO16	1	1070-12-15	
E- 3	K07A404344	Bush PT06UNFO06	2		
E- 3A	K084C9040	O-ring AS568-904	2		
E- 4	K07020100	Adapter 06-16#	2		
E- 5	K07040100	Adapter 12-16#	5		
E- 6	K07040400	Adapter 12-22#	4		
E- 7	K07A112412	Bush PT13PFO13	3		
E- 7A	K084B0400	Bonded seal 1/2	2		
E- 8	K07040300	Adapter 12-20#	3		
E- 9	KH21307000	Hydraulic hose PA01-08-700L	1		
E- 10	KH21305000	Hydraulic hose PA01-08-500L	1		
E- 11	KH21104000	Hydraulic hose PA01-04-400L	1		
E- 12					
E- 13					
E- 14					
E- 15					
E- 16	KH21108500	Hydraulic hose PA01-04-850L	1		
E- 17	K07A112492	Bush PT13PFO09	2		
E- 17A	K08101400	O-ring P-14	2		
E- 18	K07020400	Adaptor 06-22# Hydraulic hose	2		
E- 19	KH25307000	Hydraulic hose PA14-08-700L	1		
E- 20	K07041300	Long adapter 12-20# Hydraulic hose	1		
E- 21	KH21308500	Hydraulic hose PA01-08-850L	1		
E- 22	KH21106500	Hydraulic hose PA01-04-650L	1		
E- 23	KH25312800	Hydraulic hose PA14-08-1280L	1		
E- 24	K05810400	1/2 Nipple (white)	1		
E- 25	K05840400	1/2 Cheese (white)	1		
E- 26	K06164300	1/2 x 3/8 high pressure nipple	2		
E- 27	K07A106712	Adapter NSF13PFO13	2	1067-12	
E- 27A	K08101800	O-ring P-18	3		
E- 28	K07A11249	Bush PT09PFO09	1	1124-9	
E- 28A	K08101400	O-ring P-14	1		
E- 29	K07122301	Adapter PT3/8PF1/2 16#	1		
E- 30	K22551200	Relief valve	1	BRV15-140-40	
E- 31	K05810300	3/8 Nipple (white)	2		
E- 32	K05840300	3/8 Cheese (white)	2		
E- 33	K05820300	3/8 elbow (white)	1		
E- 34	K06010400	1/2 High pressure nipple	1		
E- 35	K06040400	1/2 High pressure cheese	1		
E- 36	K07122101	Adapter PT3/8PF1/4 16#	2		
E- 37	K07040300	Adapter 12-20#	1		
E- 38	K07A404388	Bush PT13UNFO13	1	4043-8-8	Serial No. 2127 -
E- 38A	K084C9080	O-ring AS568-908	1		Serial No. 2127 -
E- 39					
E- 40	KH21306500	Hydraulic hose PA01-08-650L	1		
E- 41	KH21107600	Hydraulic hose PA01-04-760L	1		
E- 42	K07142301	Adapter PT3/4PF1/2 16#	1		
E- 43	K05810500	3/4 nipple (white)	1		
E- 44	K05820500	3/4 elbow (white)	1		
E- 45	KH21304000	Hydraulic hose PA01-08-400L	1		
E- 46	KH25305000	Hydraulic hose PA14-08-500L	1		
E- 47	K07A112419	Bush PT19PFO19	1	4043-12-12	
E- 47A	K08102400	O-ring P-24	1		

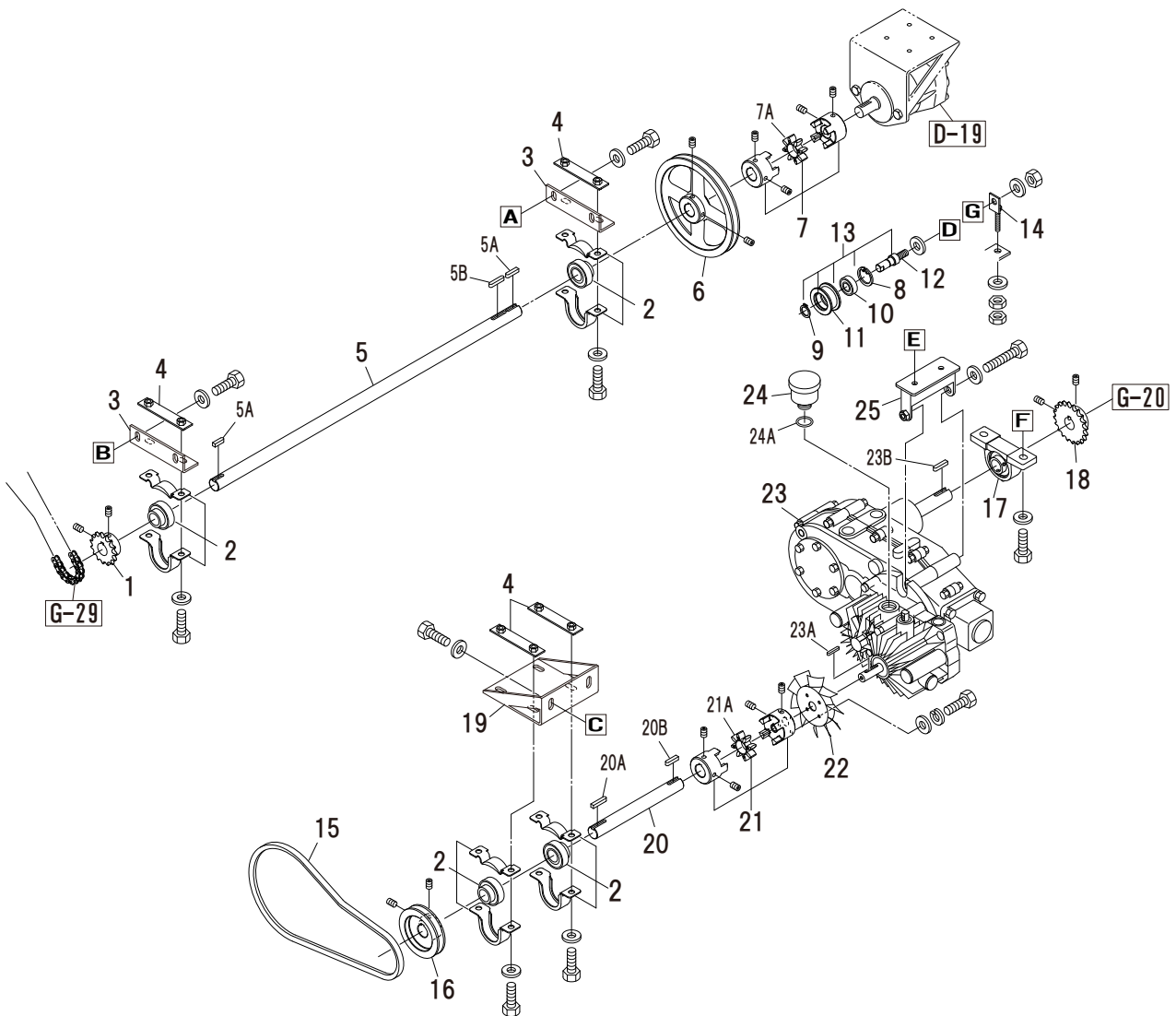
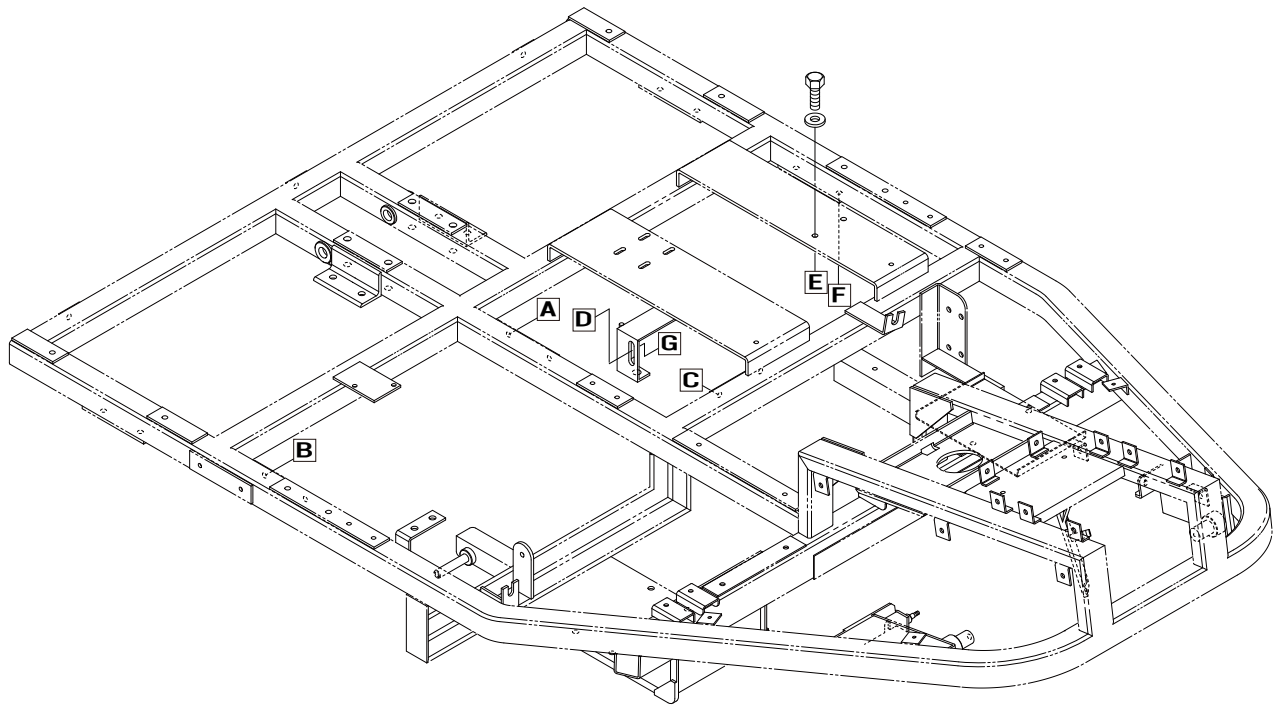
GSV2000

E HYDRAULIC PIPING



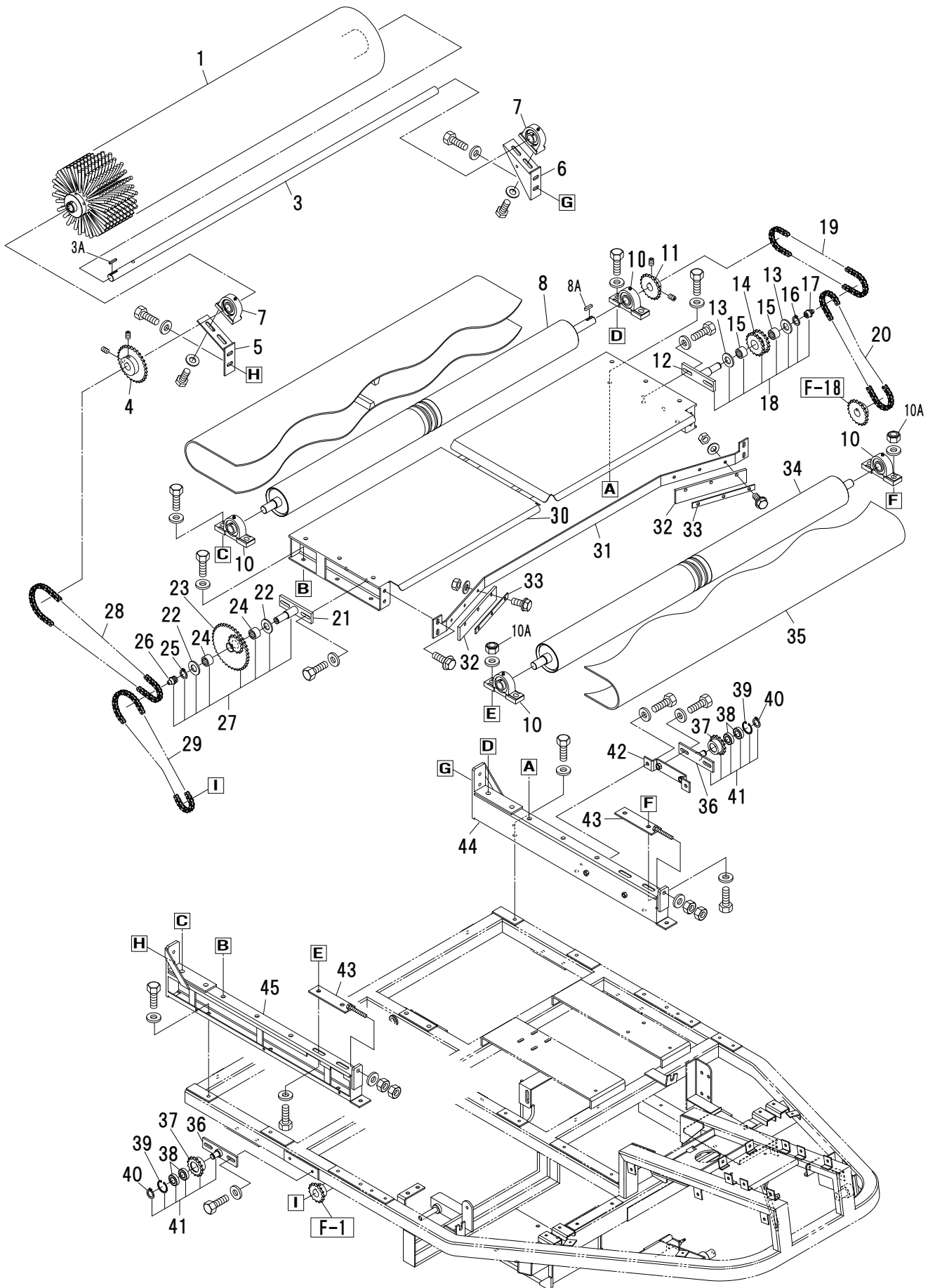
GSV2000

F Drive Relation



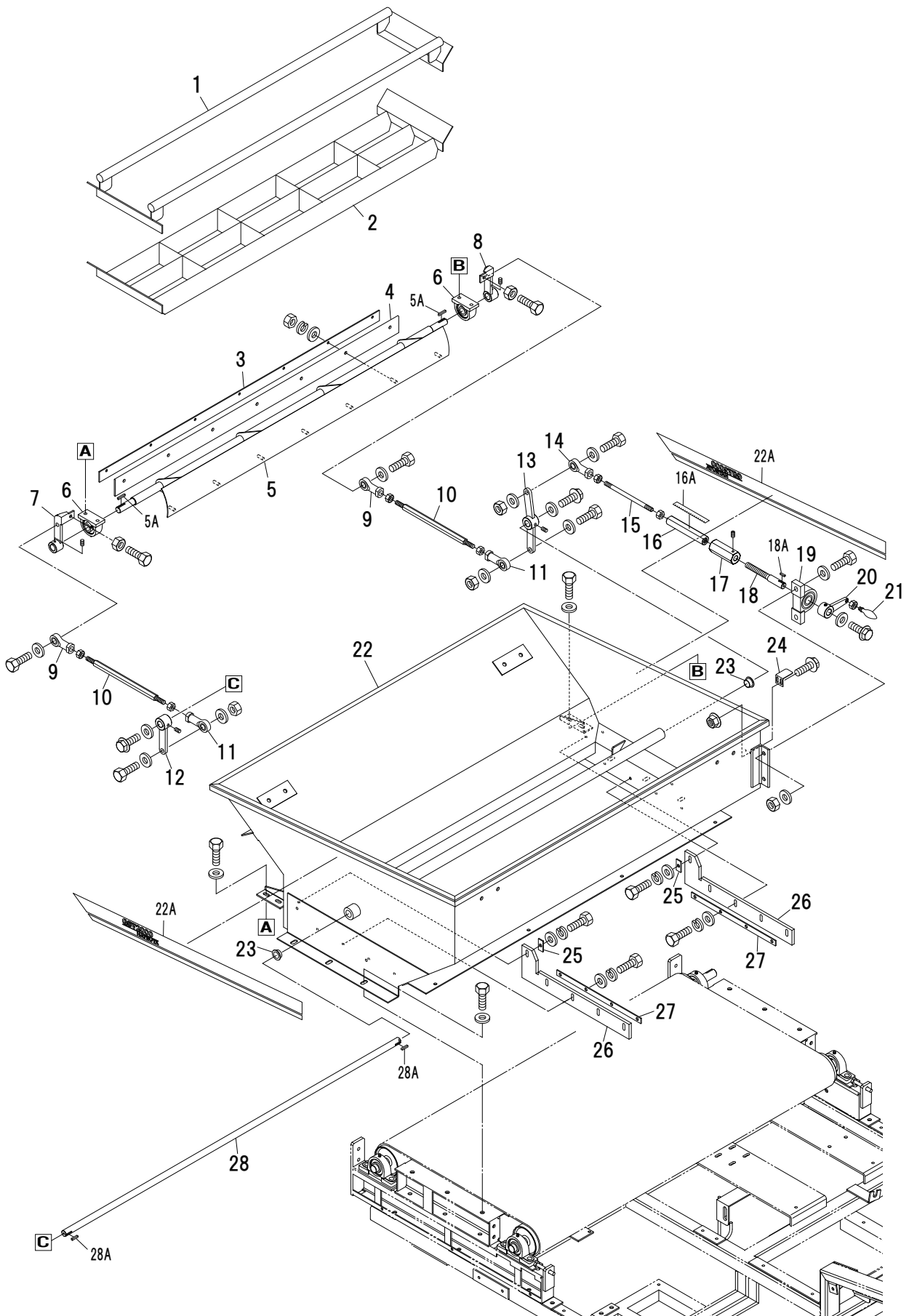
GSV2000

G CONVEYOR



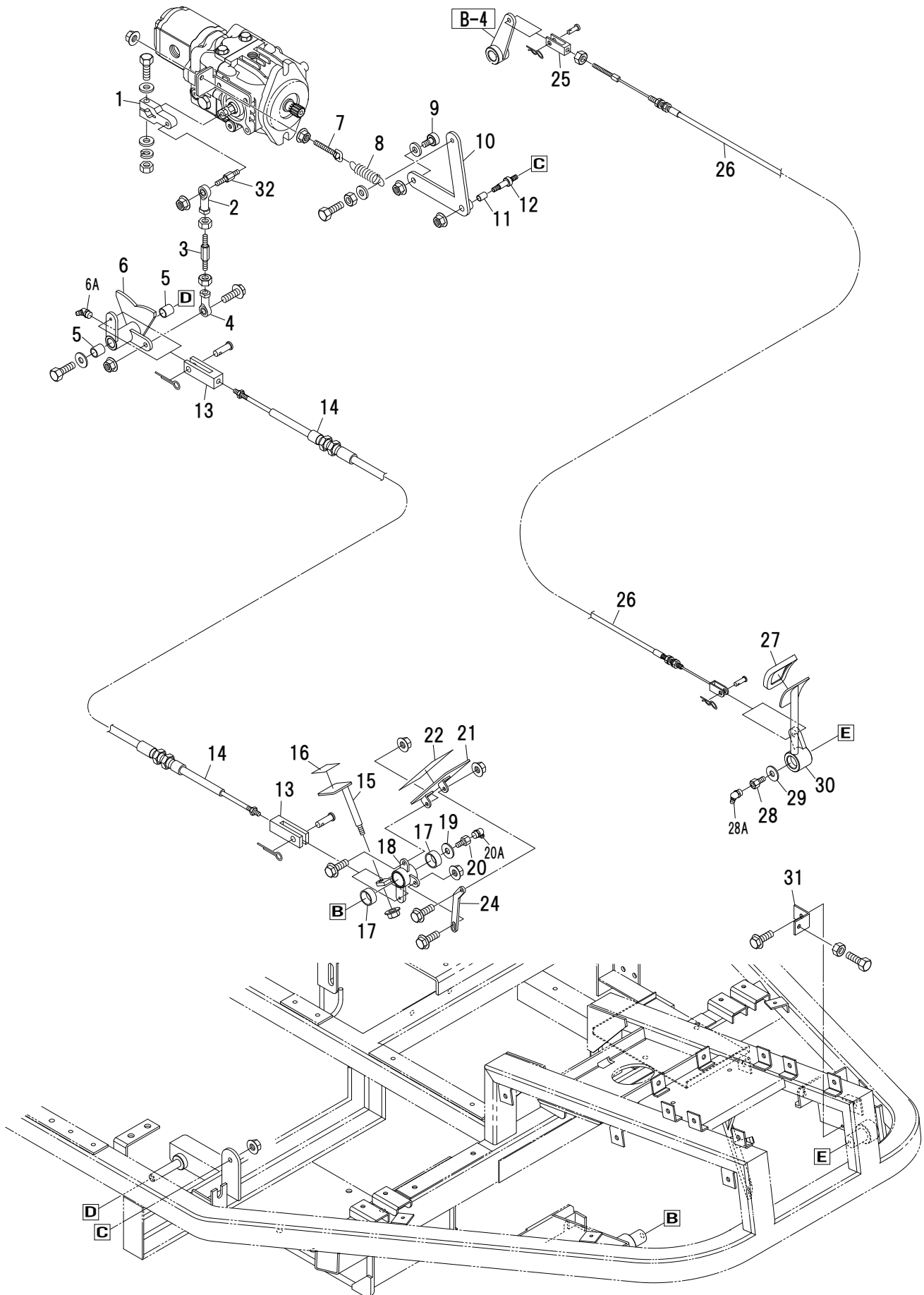
GSV2000

H HOPPER



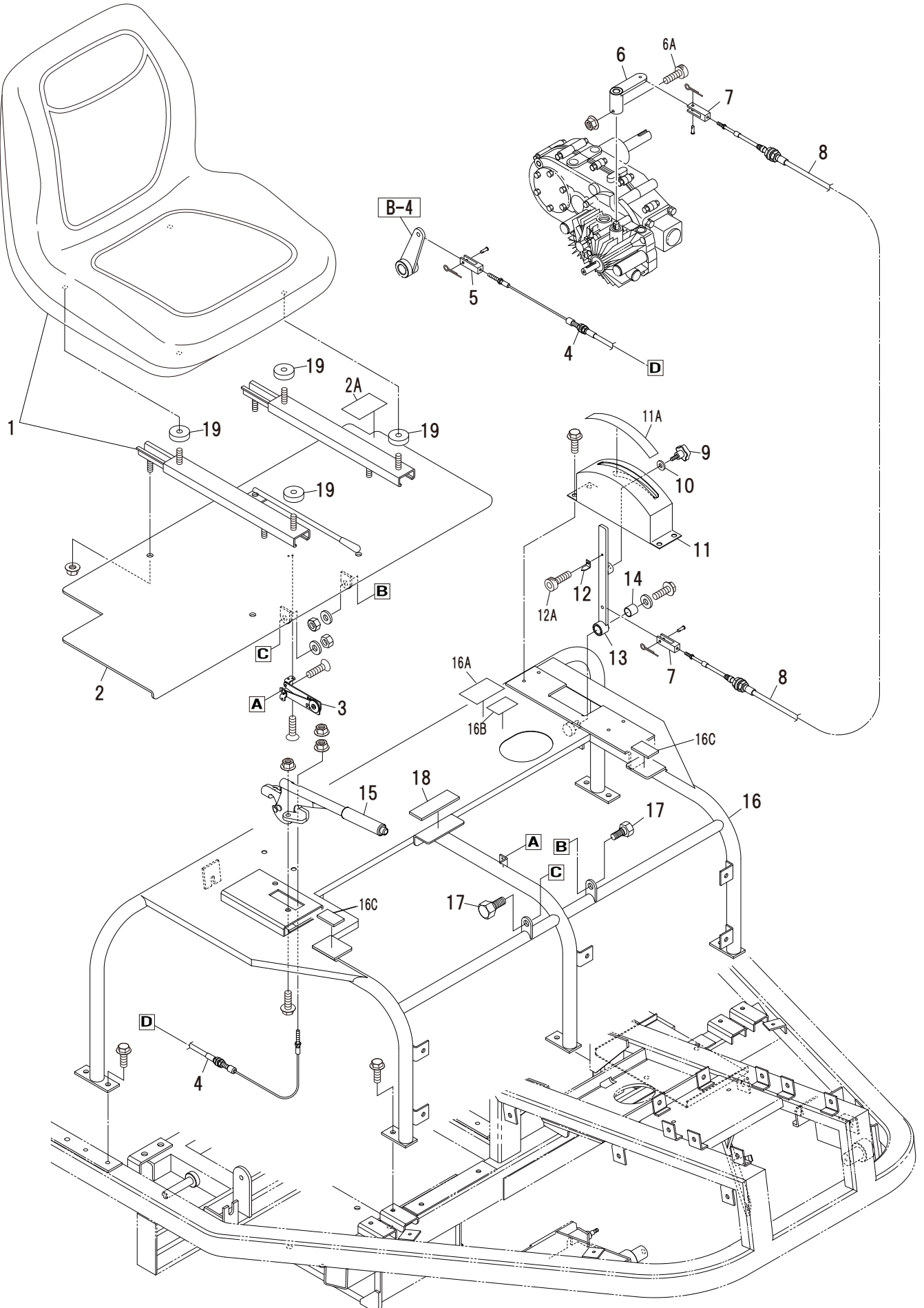
GSV2000

I PEDAL



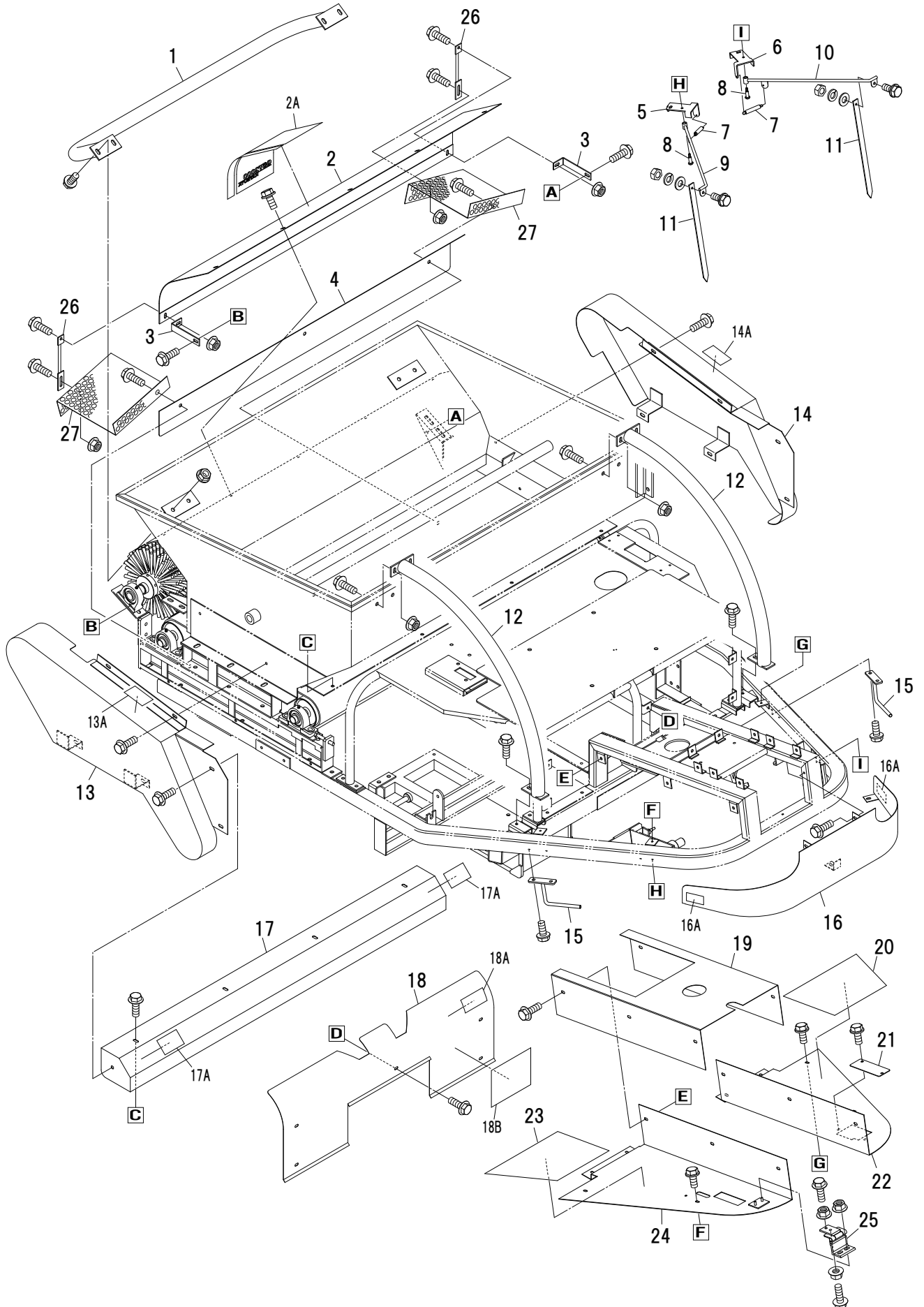
GSV2000

J SEATS



GSV2000

K COVER/MARKER



GSV2000

L HARNESS-WIRE

